



AC 41

Active Antenna Combiner

Quick Guide

Kurzanleitung

Guide rapide

Guida rapida

Guía de inicio rápido

Guia rápido

Beknopte handleiding

Krótka instrukcja obsługi

Snabbguide

Kort vejledning

Pikaohje

Γρήγορος οδηγός

Kısa Kılavuz

Краткая инструкция

快速指南

快速使用指南

クイックガイド

퀵 가이드

SENNHEISER



www.sennheiser.com/documentation



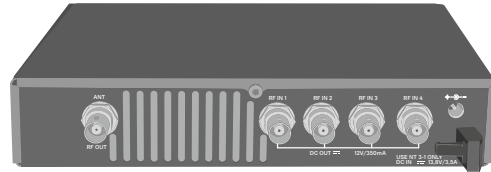
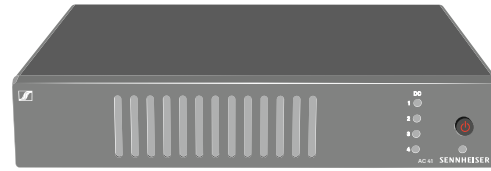
www.sennheiser.com/download

Sennheiser electronic SE & Co. KG

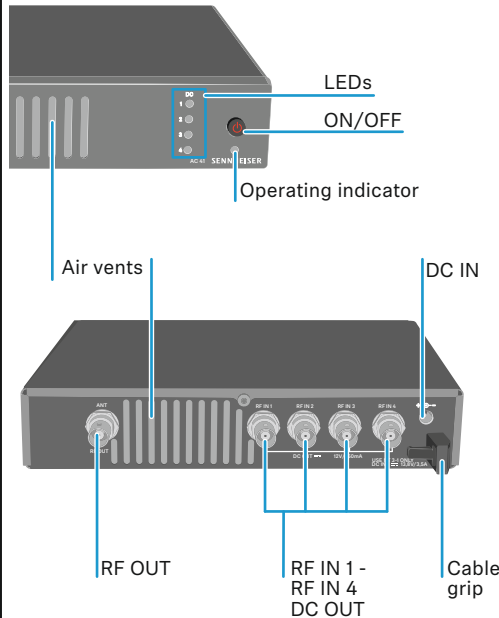
Am Labor 1, 30900 Wedemark, Germany
www.sennheiser.com

Publ. 03/26, 578662/A05

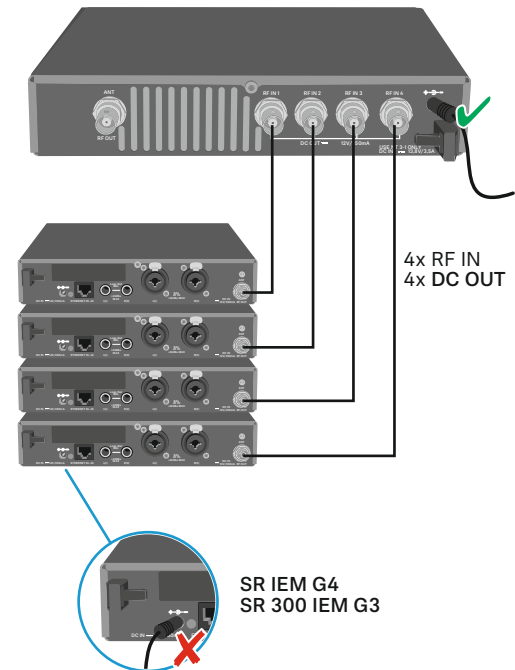
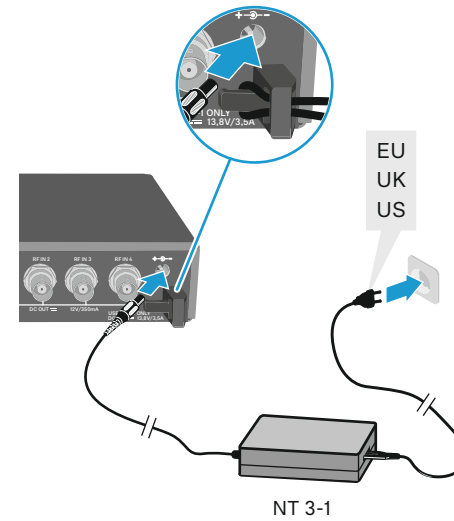
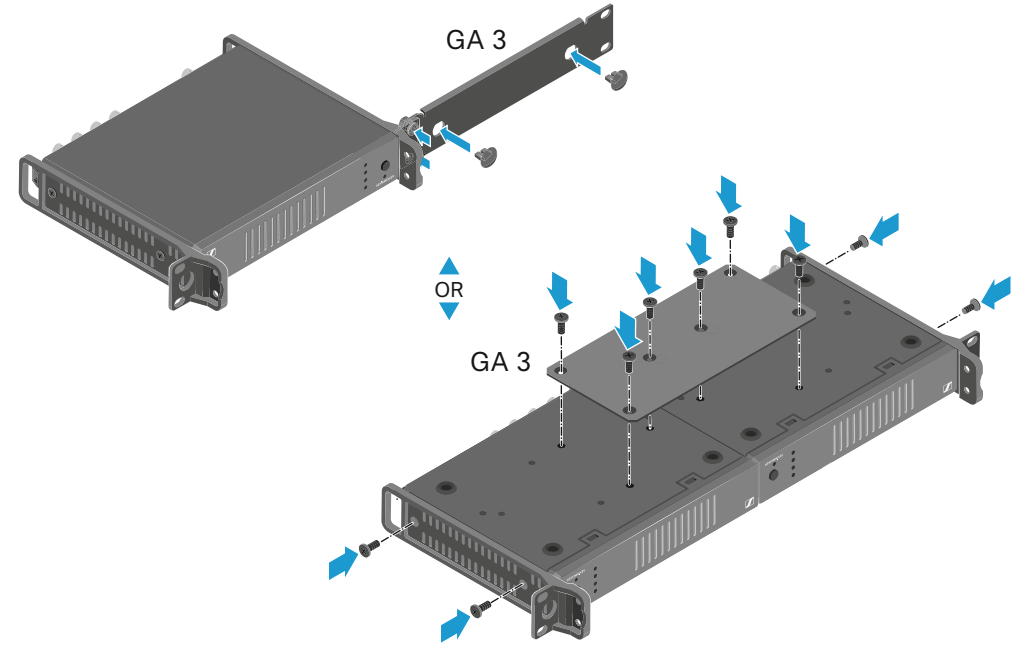
AC 41



Operating elements



Setup

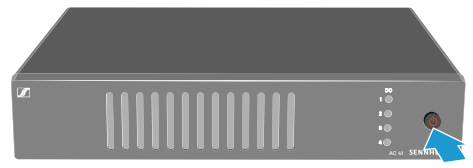


4x RF IN
4x DC OUT

SR IEM G4
SR 300 IEM G3

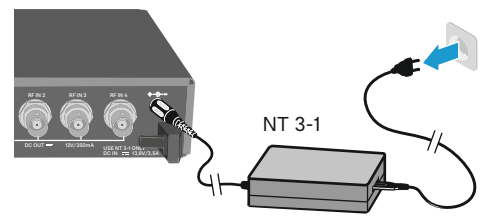
ON/OFF

ON/Standby



	AC 41	transmitter	LEDs
short	on	RF signal	on
long	standby	off	off

OFF



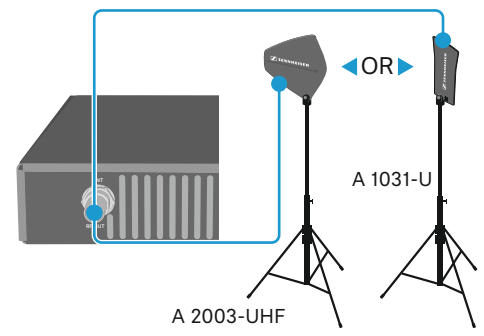
LEDs



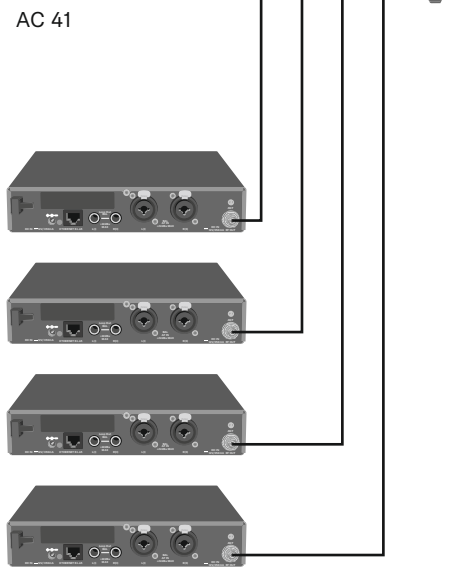
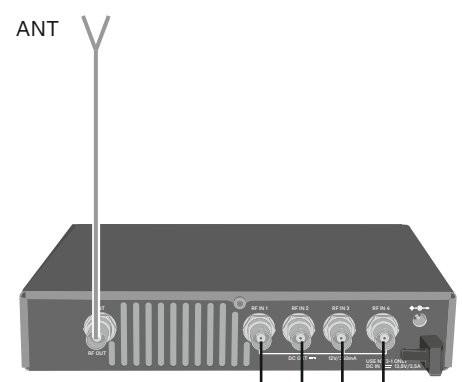
AC 41 = on

LEDs	DC to transmitters
on	✓
off	✗ →

Connecting devices



Remote antennas and maximum cable lengths →



SR IEM G4
SR 300 IEM G3

Block diagram

