



SPECTERA

Base Station

Quick Guide
 Kurzanleitung
 Guide de démarrage rapide
 Guida rapida
 Instrucciones resumidas
 Instruções resumidas
 Beknopte gebruiksaanwijzing
 Krótka instrukcja obsługi
 Snabbguide

Kort vejledning
 Pikaohje
 Σύντομες οδηγίες
 Kısa Kılavuz
 Краткая инструкция
 快速指南
 快速使用指南
 クイックガイド
 요약 안내서



SENNHEISER



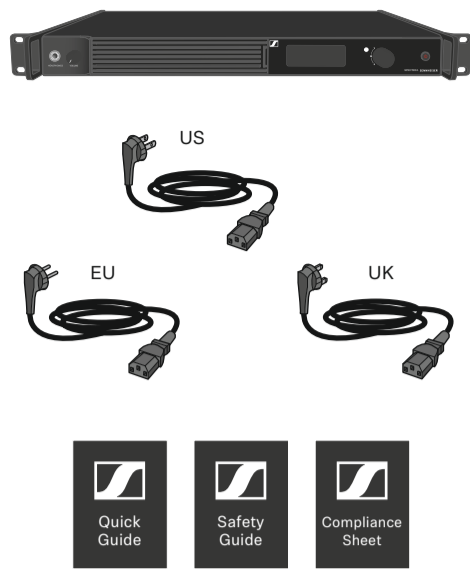
www.sennheiser.com/download

Sennheiser electronic SE & Co. KG

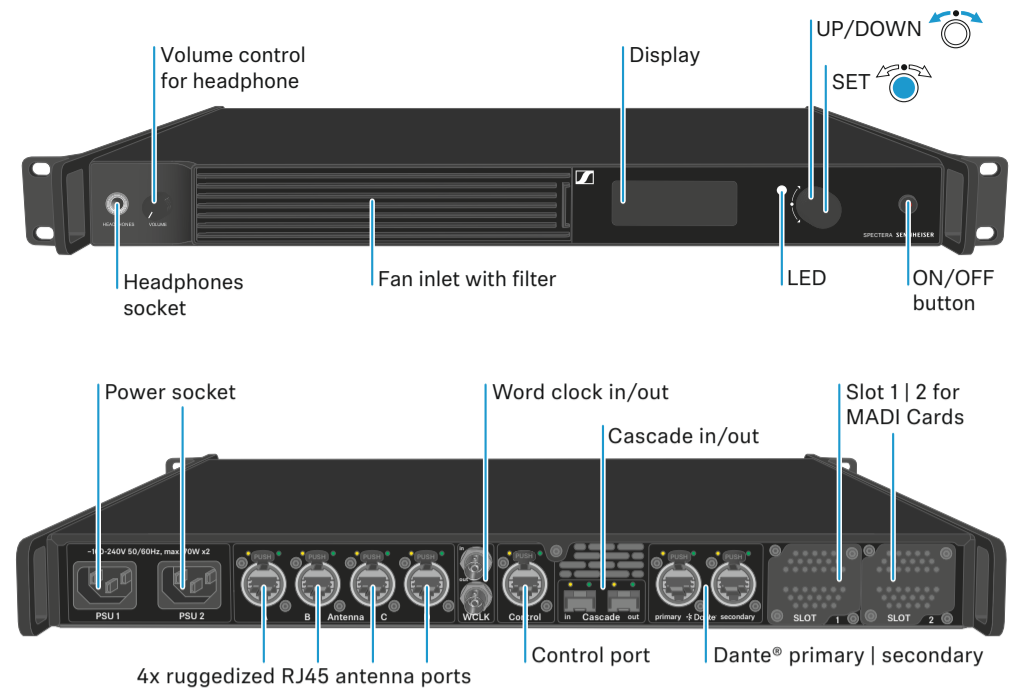
Am Labor 1, 30900 Wedemark, Germany
www.sennheiser.com

Printed in Germany, Publ. 06/26, 597270/A05

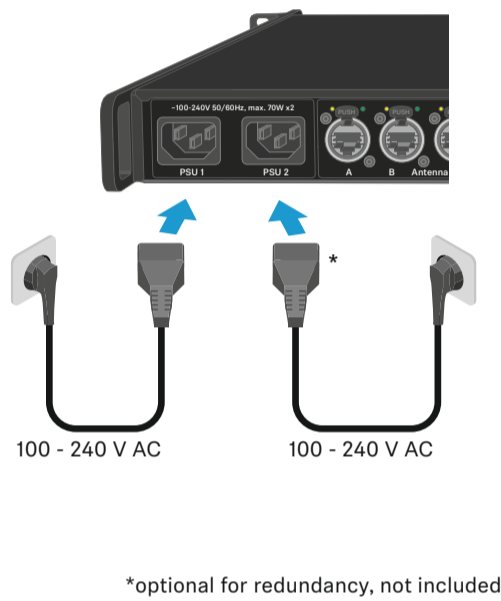
In the box



Overview

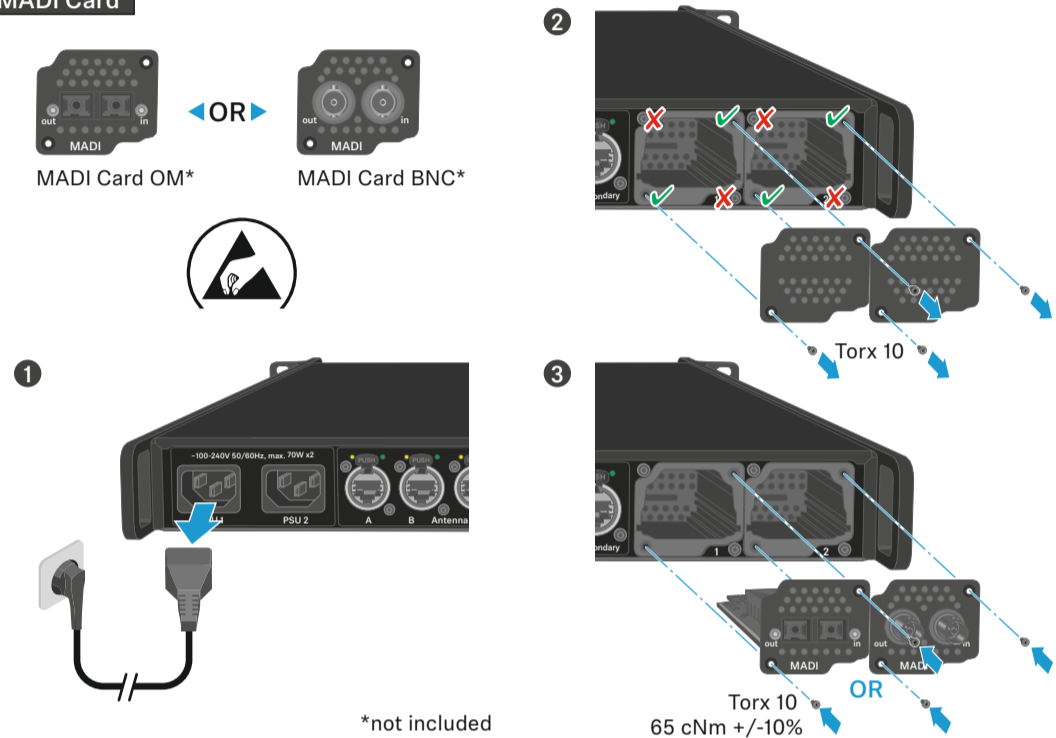


Power supply



*optional for redundancy, not included

MADI Card



*not included

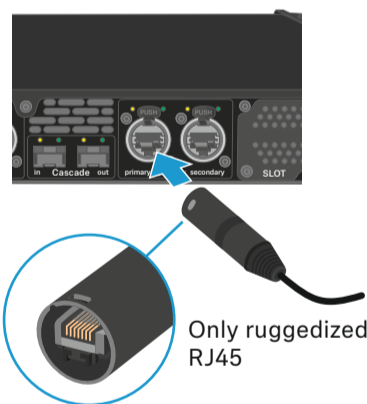
Setup

Control



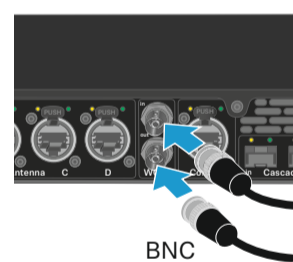
Only ruggedized RJ45

Dante

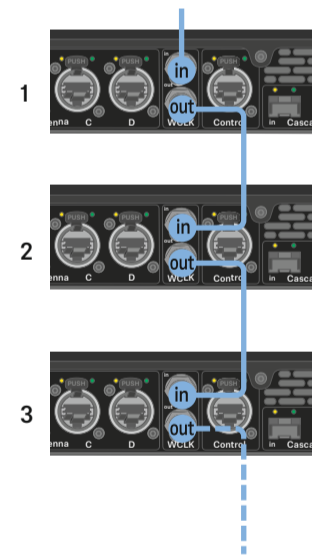


Only ruggedized RJ45

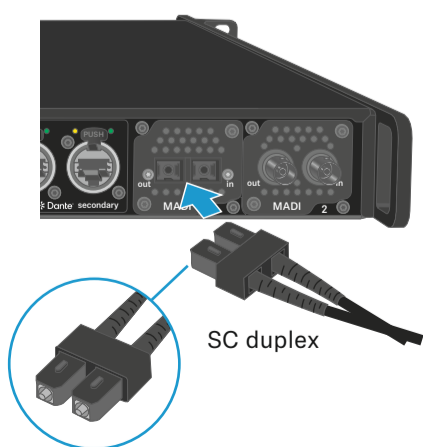
Word clock



BNC

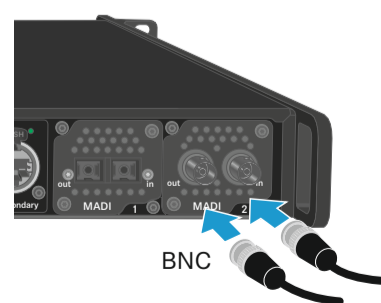


MADI OM



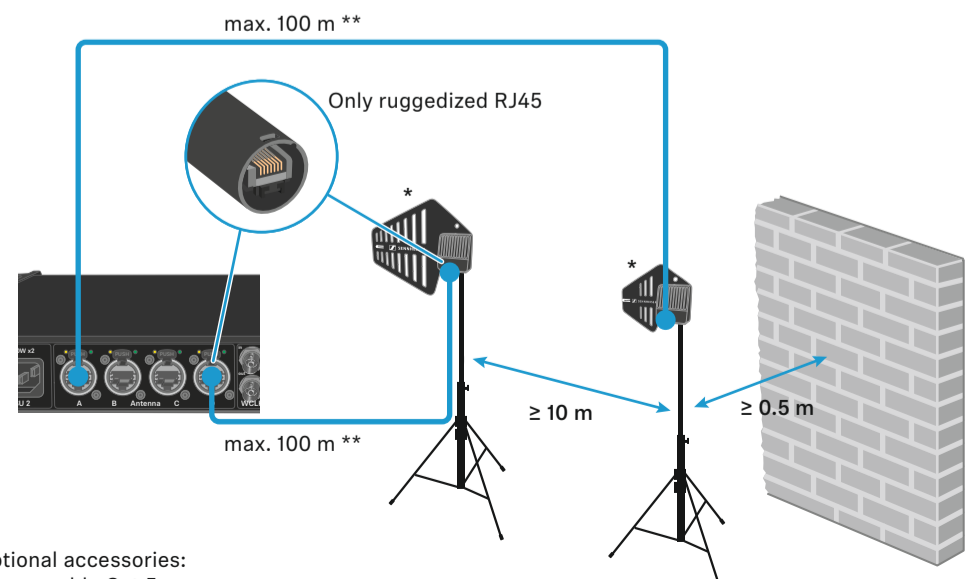
SC duplex

MADI BNC



BNC

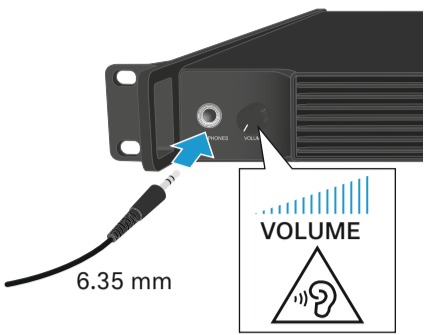
Antennas



**optional accessories:
 Antenna cable Cat 5e
 - 10 m (Art. no. 700068)
 - 25 m (Art. no. 700069)
 - 50 m (Art. no. 700070)

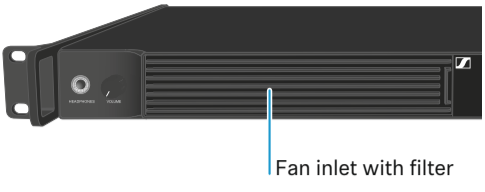
*not included:
SPECTERA DAD (UHF)
SPECTERA DAD (1G4)

Headphone



Air flow

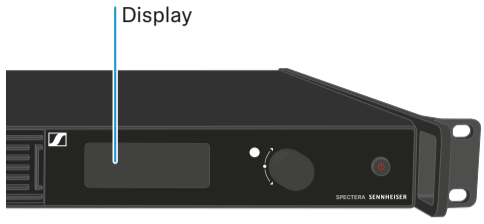
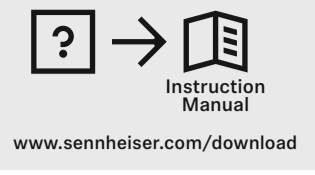
! Ensure air flow



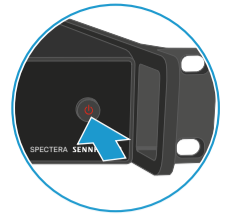
- 1 Check filter regularly
- 2 Replace filter* if necessary

*optional accessory
SPECTERA Filter set (Art. no. 700073)

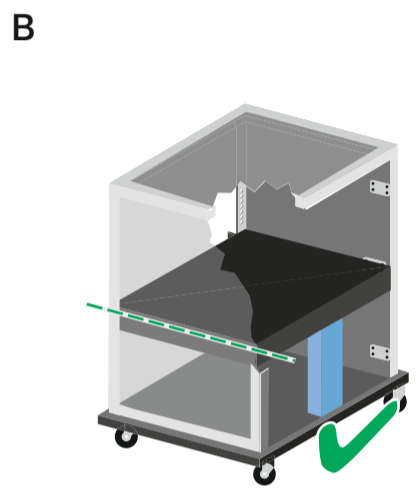
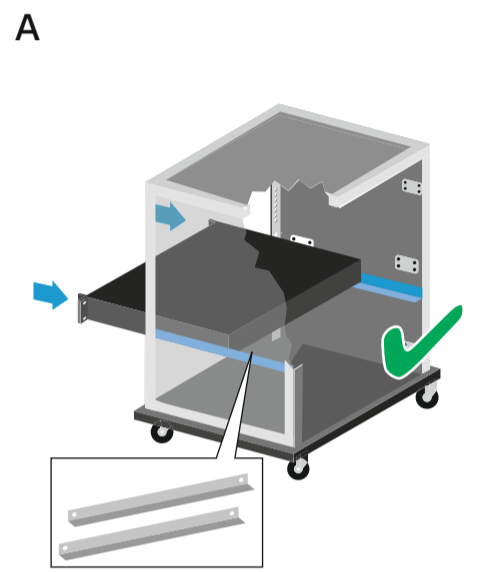
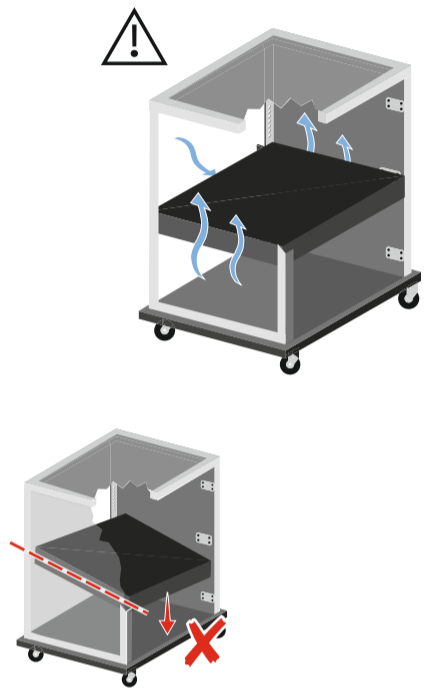
Display



On/Standby

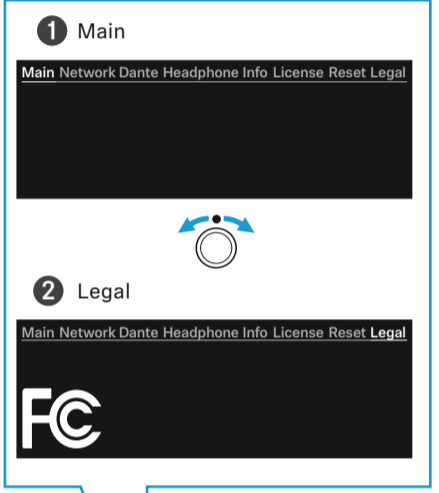


Rack

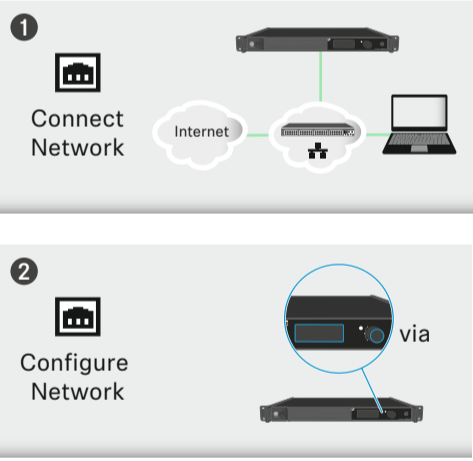


E-label

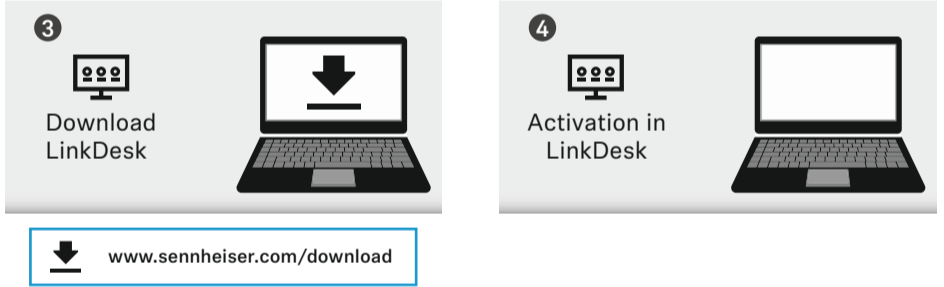
E-label for SPECTERA DAD (UHF) and SPECTERA DAD (1G4) can be shown on the SPECTERA Base Station display when connected.



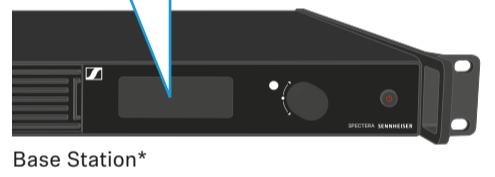
Activation



A - via software LinkDesk



B - via Spectera WebUI



Base Station*

LED

	- Device in standby
	- Device is on and one or both RF channels are active
	- One or both RF channels are muted
	- Pairing is enabled
	- Identify of device in progress
	- Firmware update in progress
	- Device is working and shows a warning on display
	- Error: Device is not working, shows a warning on display