



Evolution Wireless Digital EW-DX 835-S SET | Handheld Set



Perfect for Presenters and Singers

This set consists of 2 x EW-DX SKM-S (handheld with mute switch), 2 x MMD 835 capsule (cardioid, dynamic), 1 x EW-DX EM 2 rackmount receiver (2 channels) and 2 x BA 70 rechargeable batteries.

FEATURES EW-DX EM 2

- 2 channel half rack (9.5')
- Up to 88 MHz switching bandwidth
- PoE IEEE 802.3af Class 0
- Equidistant Channel Spacing: 146 channels in standard mode; 293 channels in Link Density Mode
- Network enabled for control with Sennheiser Control Cockpit/media control system through a number of 3rd party modules
- Clear and easy focused user interface with OLED display
- Ethernet connectivity (IPv4 and IPv6)
- Secure AES 256 encryption
- External PSU 12V/1A
- All-metal housing

DELIVERY INCLUDES

- EW-DX EM 2 rack receiver
- 2 EW-DX SKM-S handheld transmitters
- 2 MMD 835 microphone modules
- 2 MZQ 1 microphone clamps
- 2 rod antennas
- power supply with country adapters
- GA 3 rackmount set

FEATURES EW-DX SKM-S

- 10 mW RF power with up to 100 m/328 ft working range
- Charging contacts for in-device charging with CHG 70N-C
- Persistent elnk display - parameters visible on screen even when device is not powered on
- Programmable mute switch on EW-DX SKM-S - customize the device depending on your professional needs
- Function buttons - control all the transmitter settings directly from handheld microphone
- Extended runtime with lithium-ion batteries - up to 12 hours operation time
- Standard capsule interface - compatible with a wide range of Sennheiser and Neumann capsules
- Mic input trim control
- Metal housing

- 4 rubber feet
- 2 BA 70 rechargeable battery packs
- quick guide
- safety guide
- manufacturer declaration sheet



Evolution Wireless Digital

EW-DX 835-S SET | Handheld Set

PRODUCT VARIANTS

EW-DX 835-S SET (Q1-9)	470.2 - 550 MHz	Art. no. 509300
EW-DX 835-S SET (R1-9)	520 - 607.8 MHz	Art. no. 509301
EW-DX 835-S SET (S1-10)	606.2 - 693.8 MHz	Art. no. 509302
EW-DX 835-S SET (S2-10)	614.2 - 693.8 MHz	Art. no. 509305
EW-DX 835-S SET (S4-10)	630 - 693.8 MHz	Art. no. 509306
EW-DX 835-S SET (U1/5)	823.2 - 831.8 MHz & 863.2 - 864.8 MHz	Art. no. 509307
EW-DX 835-S SET (V3-4)	925.2 - 937.3 MHz	Art. no. 509309
EW-DX 835-S SET (V5-7)	941.7 - 951.8 MHz & 953.05 - 956.05 MHz & 956.65 - 959.65 MHz	Art. no. 509310
EW-DX 835-S SET (W5-6)	1240.1 - 1251.875 MHz & 1253.125 - 1259.9 MHz	Art. no. 700720
EW-DX 835-S SET (Y1-3)	1785.2 - 1799.8 MHz	Art. no. 509313

ACCESSORIES

EW-D ASA (Q-R-S)	Active Antenna Splitter	470 - 694 MHz	Art. no. 508879
EW-D ASA (T-U-V)	Active Antenna Splitter	694 - 1075 MHz	Art. no. 508880
EW-D ASA (W)	Active Antenna Splitter	1240 - 1260 MHz	Art. no. 700714
EW-D ASA (X-Y)	Active Antenna Splitter	1350 - 1805 MHz	Art. no. 508881
EW-D ASA CN/ANZ (Q-R-S)	Active Antenna Splitter	470 - 694 MHz	Art. no. 508998
EW-D AB (Q)	Antenna Booster	470 - 550 MHz	Art. no. 508873
EW-D AB (R)	Antenna Booster	520 - 608 MHz	Art. no. 508874
EW-D AB (S)	Antenna Booster	606 - 694 MHz	Art. no. 508875
EW-D AB (U)	Antenna Booster	823 - 865 MHz	Art. no. 508876
EW-D AB (V)	Antenna Booster	902 - 960 MHz	Art. no. 508877
EW-D AB (W)	Antenna Booster	1240 - 1260 MHz	Art. no. 700715
EW-D AB (Y)	Antenna Booster	1785 - 1805 MHz	Art. no. 508878
ADP UHF (470 - 1075 MHz)	Passive directional antenna	470 - 1075 MHz	Art. no. 508863
BA 70	Rechargeable battery pack for SK and SKM-S		Art. no. 508860
L 70 USB	Charger for BA 70 rechargeable battery pack		Art. no. 508861
EW-D CHARGING SET	Set of L 70 USB charger and 2 BA 70 rechargeable battery packs		Art. no. 508862
CHG 70N-C	Network-enabled charger for SK, SKM and BA 70		Art. no. 700332
CHG 70N-C + PSU KIT	CHG 70N-C charger with NT 12-35 CS power supply unit		Art. no. 700333
EW-D COLOR CODING SET	Colored labels for wireless link identification for EM, SKM-S, SK		Art. no. 508989
EW-D SK COLOR CODING	Colored labels for wireless link identification for SK		Art. no. 508990
EW-D SKM COLOR CODING	Colored labels for wireless link identification for SKM-S		Art. no. 508991
EW-D EM COLOR CODING	Colored labels for wireless link identification for EM		Art. no. 508992



Evolution Wireless Digital

EW-DX 835-S SET | Handheld Set

MICROPHONE COMPATIBILITY

Microphone modules compatible with the EW-DX SKM-S handheld transmitter

MMD 835-1	Dynamic microphone module with cardioid polar pattern
MMD 845-1	Dynamic microphone module with supercardioid polar pattern
MME 865-1	Pre-polarized condenser microphone module with supercardioid polar pattern
MMD 935-1	Dynamic microphone module with cardioid polar pattern
MMD 945-1	Dynamic microphone module with supercardioid polar pattern
MMK 965-1	Condenser microphone module with switchable cardioid and supercardioid polar pattern
MMD 42-1	Dynamic microphone module with omni-directional polar pattern
Neumann KK 204	Condenser microphone module with cardioid polar pattern
Neumann KK 205	Condenser microphone module with supercardioid polar pattern
MM 435	Dynamic microphone module with cardioid polar pattern
MM 445	Dynamic microphone module with supercardioid polar pattern
ME 9002	Pre-polarized condenser microphone module with omni-directional polar pattern
ME 9004	Pre-polarized condenser microphone module with cardioid polar pattern
ME 9005	Pre-polarized condenser microphone module with supercardioid polar pattern



Evolution Wireless Digital

EW-DX 835-S SET | Handheld Set

SPECIFICATIONS

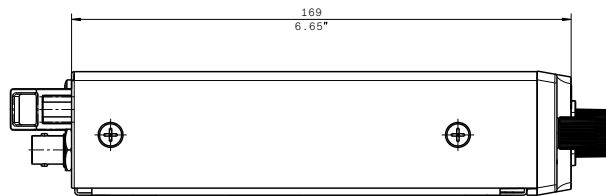
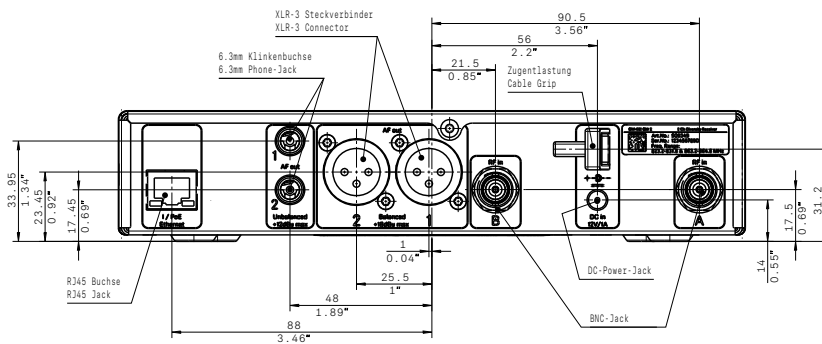
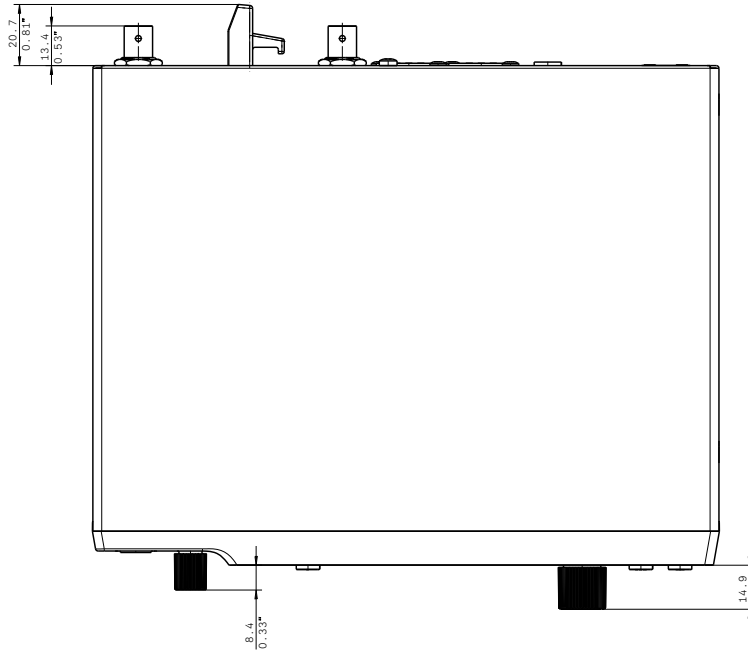
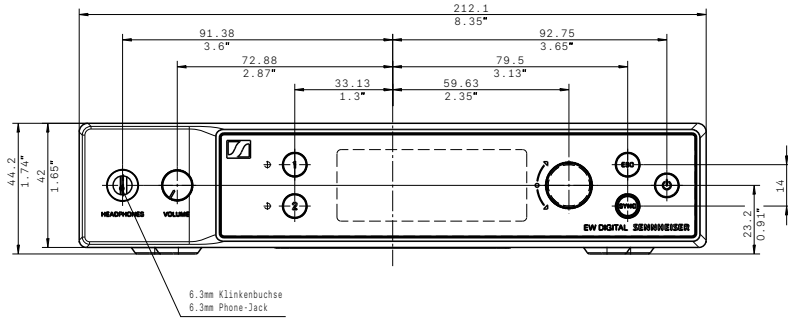
System		EW-DX SKM-S (Handheld Transmitter)	
Audio link frequency ranges	Q1-9 470.2 - 550 MHz R1-9 520 - 607.8 MHz S1-10 606.2 - 693.8 MHz S2-10 614.2 - 693.8 MHz S4-10 630 - 693.8 MHz U1/5 823.2 - 831.8 MHz & 863.2 - 864.8 MHz V3-4 925.2 - 937.3 MHz V5-7 941.7 - 951.8 MHz & 953.05 - 956.05 MHz & 956.65 - 959.65 MHz W5-6 1240.1 - 1251.875 MHz & 1253.125 - 1259.9 MHz Y1-3 1785.2 - 1799.8 MHz	Input voltage	2.0 - 4.35 V
Bluetooth® Low Energy (BLE) frequency range	2402 - 2480 MHz	Input current	< 300 mA
Audio frequency response	20 Hz - 20 kHz (-3 dB) @ 3 dBfs	Power supply	2 AA batteries 1.5 V (alkali manganese) or BA 70 rechargeable battery pack
Audio THD	≤ -60 dB for 1 kHz @ -3 dBfs input level	Occupied bandwidth	200 kHz
Dynamic range	134 dB	Transmit power (radiated)	Audio link: 10 mW ERP (Range Y1-3: 12 mW ERP) BLE: max. 10 mW EIRP
System latency	1.9 ms	Dimensions (ø x l) (incl. MMD 835 microphone module)	50 x 268 mm (1.97" x 10.55")
Operating temperature	-10 °C - +55 °C (14 °F - 131 °F)	(without microphone module)	40 x 200 mm (1.57" x 7.87")
Relative humidity	5 - 95 % (non-condensing)	Weight (without batteries) (incl. MMD 835 microphone module)	approx. 304 g (0.67 lbs)
		(without microphone module)	approx. 195 g (7.14 lbs)
EW-DX EM 2 (Rack Receiver)		MMD 835 (Microphone Module)	
Input voltage	11 - 13 V DC or PoE IEEE 802.3af Class 0 (CAT5e or higher)	Transducer principle	dynamic
Input current	≤ 1 A	Sensitivity	2.1 mV/Pa
Transmit power (radiated)	BLE: max. 10 mW EIRP	Sound pressure level	154 dB SPL
Audio output power	18 dBu max.	Pick-up pattern	cardioid
Headphone output	2x 70 mW @ 32 Ω		
Ethernet	RJ-45 socket, IEEE802.3 100Base-TX (half+full duplex) 10Base-T (half+full duplex) (CAT5e or higher)		
Dimensions	212 x 44 x 189 mm (8.35" x 1.73" x 7.44")		
Weight	approx. 1000 g (2.2 lbs) (without antennas and power supply)		



Evolution Wireless Digital EW-DX 835-S SET | Handheld Set

DIMENSIONS

EW-DX EM 2



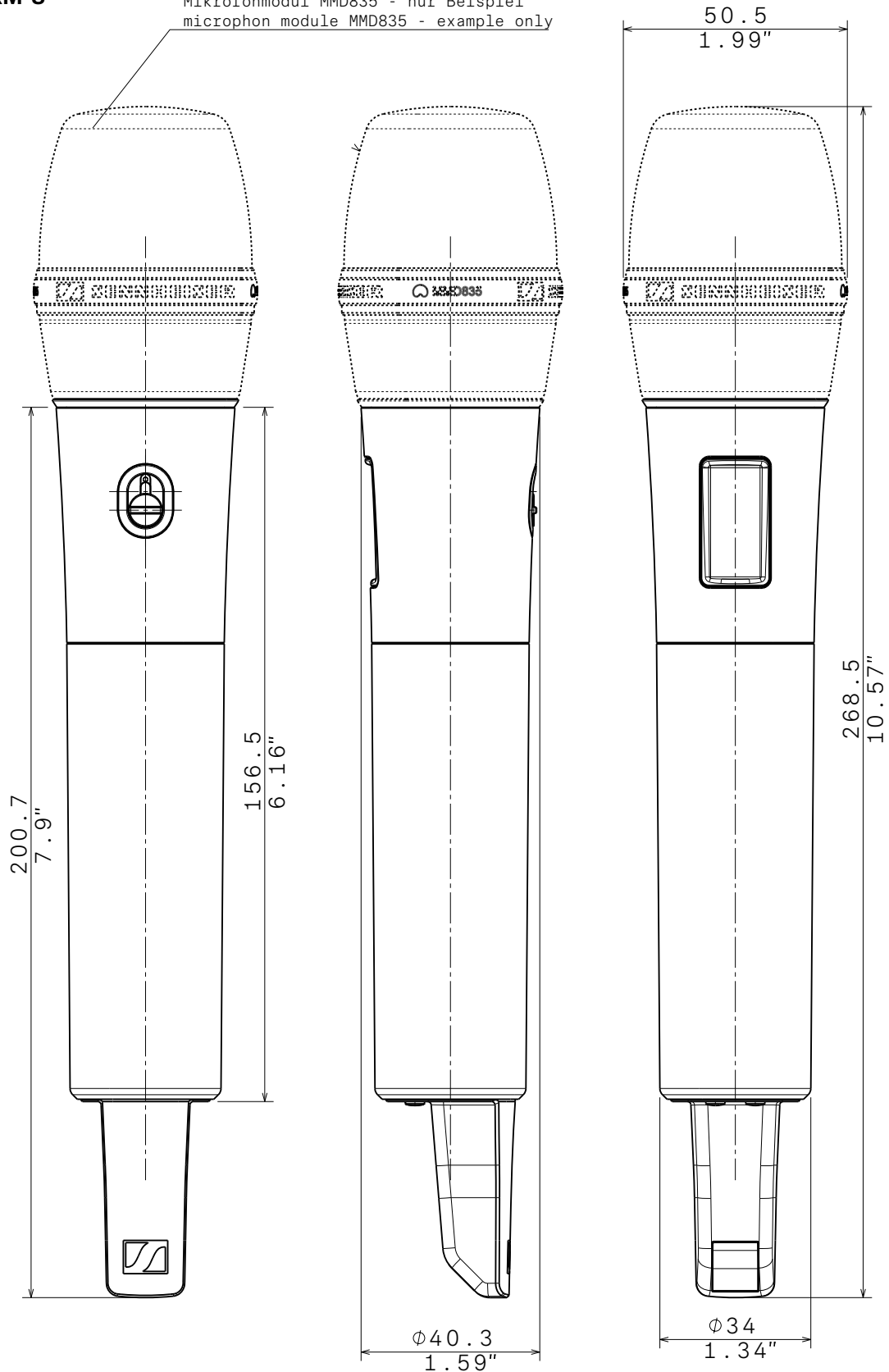


Evolution Wireless Digital EW-DX 835-S SET | Handheld Set

DIMENSIONS

EW-DX SKM-S

Mikrofonmodul MMD835 - nur Beispiel
microphon module MMD835 - example only





Evolution Wireless Digital

EW-DX 835-S SET | Handheld Set

ARCHITECT'S SPECIFICATION

EW-DX EM 2 rack receiver

The stationary two-channel receiver with switching diversity technology shall be for use with up to two companion transmitters as part of a digital wireless RF transmission system.

The receiver shall operate within the following UHF frequency ranges, with a switching bandwidth of up to 88 MHz: 470.2 – 550 MHz, 520 – 607.8 MHz, 606.2 – 693.8 MHz, 614.2 – 693.8 MHz, 630 – 693.8 MHz, 823.2 – 831.8 MHz, 863.2 – 846.8 MHz, 925.2 – 937.3 MHz, 941.7 – 951.8 MHz, 953.05 – 956.05 MHz, 956.65 – 959.65 MHz, 1240.1 – 1251.875 MHz, 1253.125 – 1259.9 MHz, 1785.2 – 1799.8 MHz. Different frequency variants shall be available depending on country-specific regulations.

The receiver shall feature Bluetooth® Low Energy (BLE) at a frequency range between 2402 and 2480 MHz for remote controlling the devices via a control App for iOS and Android.

The receiver shall feature an automatic frequency setup function with spectrum scan functionality in order to establish an equidistant frequency grid with 146 channels in standard mode and 293 channels in Link Density Mode.

The audio frequency response shall be between 20 Hz and 20 kHz (-3 dB). Audio total harmonic distortion (THD) shall be ≤ -60 dB for 1 kHz @ -3 dBfs input level. Dynamic range shall be 134 dB. System latency shall be 1.9 ms.

The receiver shall be menu-driven with an OLED display showing the current frequency, channel number, metering of RF level, metering of AF level, lock status, muting function, antenna switching diversity, app connection, gain, audio output level, menu and battery status for each of the two associated transmitters. An auto-lock feature shall be provided to prevent settings from being accidentally altered.

The following settings shall be configurable by function buttons and an encoder for each channel in the menu: frequency, channel name, gain, trim, AF output, low cut, AES 256 encryption, test tone, network settings, integrated antenna booster settings, display brightness, device name, auto setup settings for automatic frequency setup.

For each of the two channels the receiver shall feature a balanced XLR-3M audio output with a maximum output of +18 dBu along with an unbalanced 6.3 mm (¼") audio output with a maximum output of +12 dBu.

For secure transmission the receiver shall feature AES 256 encryption.

The receiver shall provide a walktest mode for monitoring the RF and AF signal status in the location over time.

Two BNC-type input sockets shall be provided for connecting the antennas. The receiver shall be usable with active and passive wide range UHF antennas for the entire supported RF spectrum.

A headphone output with headphone volume control shall be provided and shall utilize a 6.3 mm stereo jack socket.

The receiver shall have an Ethernet port (RJ-45) for remote network-based monitoring and control using the Sennheiser Control Cockpit software or the Sennheiser Wireless Systems Manager software.

The receiver shall operate on 12 V DC power supplied from the power supply unit or on Power over Ethernet (PoE IEEE 802.af Class 0). Power consumption shall be ≤ 1 A.

The receiver shall have a rugged metal housing; dimensions shall be approximately 212 x 44 x 206 mm (8.35" x 1.73" x 8.11"). Weight shall be approximately 1000 grams (2.2 lbs) without antennas and power supply. Operating temperature shall range from -10 °C to $+50$ °C ($+14$ °F to $+122$ °F).

The receiver shall be the Sennheiser EW-DX EM 2.



Evolution Wireless Digital

EW-DX 835-S SET | Handheld Set

ARCHITECT'S SPECIFICATION

EW-DX SKM-S handheld transmitter

The handheld transmitter shall be for use with a companion receiver as part of a digital wireless RF transmission system.

The handheld transmitter shall operate within the following UHF frequency ranges, with a switching bandwidth of up to 88 MHz: 470.2 – 550 MHz, 520 – 607.8 MHz, 606.2 – 693.8 MHz, 614.2 – 693.8 MHz, 630 – 693.8 MHz, 823.2 – 831.8 MHz, 863.2 – 846.8 MHz, 925.2 – 937.3 MHz, 941.7 – 951.8 MHz, 953.05 – 956.05 MHz, 956.65 – 959.65 MHz, 1240.1 – 1251.875 MHz, 1253.125 – 1259.9 MHz, 1785.2 – 1799.8 MHz. Different frequency variants shall be available depending on country-specific regulations.

The audio frequency response shall be between 20 Hz and 20 kHz (-3 dB). Audio total harmonic distortion (THD) shall be ≤ -60 dB for 1 kHz @ -3 dBfs input level. Dynamic range shall be 134 dB. System latency shall be 1.9 ms.

Occupied bandwidth shall be 200 kHz. Transmit power (radiated) shall be 10 mW ERP (1785.2 – 1799.8 MHz Range: 12 mW ERP).

A programmable mute switch shall be provided for muting or unmuting either the audio signal or the radio signal. The mute switch can also be deactivated.

The handheld transmitter shall be menu-driven with a backlit elnk display showing the relevant status information such as frequency, battery status or AES 256 encryption status.

All transmitter parameters shall be adjustable with function buttons on the device itself or by Bluetooth Low Energy (BLE) synchronization via the associated receiver. The function buttons shall be lockable against accidental misuse.

Power shall be supplied to the handheld transmitter by two 1.5 V AA size batteries or by one Sennheiser BA 70 rechargeable battery pack. Operating time shall be typically 12 hours with a battery pack and up to 8 hours with AA batteries.

The handheld transmitter shall feature charging contacts for direct charging of the transmitter with inserted BA 70 battery pack in a Sennheiser CHG 70N-C network-enabled charger.

The handheld transmitter shall utilize Sennheiser's standard capsule interface serving Sennheiser microphone modules of the evolution wireless and 2000 series and Digital 6000 and 9000 as well as the Neumann KK 204 / 205 microphone modules.

The handheld transmitter shall have a rugged metal housing; dimensions shall be approximately 50 mm (1.97") in diameter and 268 mm (10.55") in length including a Sennheiser MMD 835 microphone module. Weight including MMD 835 microphone module shall be approximately 304 grams (0.67 lbs). Operating temperature shall range from -10 °C to $+50$ °C ($+14$ °F to $+122$ °F).

The handheld transmitter shall be the Sennheiser EW-DX SKM-S.