



Evolution Wireless Digital EW-DX SK | EW-DX SK 3-PIN Bodypack Transmitter



EW-DX SK



EW-DX SK 3-PIN

Compact and versatile bodypack transmitter for use with Evolution Wireless Digital receivers - with 3.5 mm jack or 3-pin connector variants.

FEATURES

- 3.5 mm jack or 3-pin connector variants
- 10mW RF power with up to 100m/328ft working range
- Charging contacts for in-device charging with CHG 70N-C
- Persistent eInk display - parameters visible on screen even when device is not powered on
- Programmable mute switch - customize the device depending on your professional needs
- Extended runtime with BA 70 battery pack - up to 12 hours operation time
- Mic input trim control
- Metal housing

DELIVERY INCLUDES

- EW-DX SK bodypack transmitter
- clip
- batteries (AA)
- quick guide
- safety guide
- manufacturer declaration sheet



Evolution Wireless Digital EW-DX SK | EW-DX SK 3-PIN Bodypack Transmitter

SPECIFICATIONS

System		EW-DX SK (Bodypack Transmitter)	
Audio link frequency ranges	Q1-9 470.2 - 550 MHz R1-9 520 - 607.8 MHz S1-10 606.2 - 693.8 MHz S2-10 614.2 - 693.8 MHz S4-10 630 - 693.8 MHz U1/5 823.2 - 831.8 MHz & 863.2 - 864.8 MHz V3-4 925.2 - 937.3 MHz V5-7 941.7 - 951.8 MHz & 953.05 - 956.05 MHz & 956.65 - 959.65 MHz W5-6 1240.1 - 1251.875 MHz & 1253.125 - 1259.9 MHz Y1-3 1785.2 - 1799.8 MHz	Input voltage	2.0 - 4.35 V
Bluetooth® Low Energy (BLE) frequency range	2402 - 2480 MHz	Input current	< 300 mA
Audio frequency response	20 Hz - 20 kHz (-3 dB) @ 3 dBfs	Power supply	2 AA batteries 1.5 V (alkali manganese) or BA 70 rechargeable battery pack
Audio THD	≤ -60 dB for 1 kHz @ -3 dBfs input level	Occupied bandwidth	200 kHz
Dynamic range	134 dB	Transmit power (radiated)	Audio link: 10 mW ERP (Range Y1-3: 12 mW ERP) LD mode: 10 mW ERP BLE: max. 10 mW EIRP
System latency	1.9 ms	Dimensions (without antenna)	63.5 x 85 x 20 mm (2.5" x 3.35" x 0.79")
Operating temperature	-10 °C - +55 °C (14 °F - 131 °F)	Weight (without batteries)	approx. 115-120 g (0.26-0.27 - lbs)
Relative humidity	5 - 95 % (non-condensing)		



Evolution Wireless Digital

EW-DX SK | EW-DX SK 3-PIN

Bodypack Transmitter

PRODUCT VARIANTS

EW-DX SK (Q1-9)	470.2 - 550 MHz	Art. no. 509384
EW-DX SK (R1-9)	520 - 607.8 MHz	Art. no. 509385
EW-DX SK (S1-10)	606.2 - 693.8 MHz	Art. no. 509386
EW-DX SK (S2-10)	614.2 - 693.8 MHz	Art. no. 509389
EW-DX SK (S4-10)	630 - 693.8 MHz	Art. no. 509390
EW-DX SK (U1/5)	823.2 - 831.8 MHz & 863.2 - 864.8 MHz	Art. no. 509391
EW-DX SK (V3-4)	925.2 - 937.3 MHz	Art. no. 509393
EW-DX SK (V5-7)	941.7 - 951.8 MHz & 953.05 - 956.05 MHz & 956.65 - 959.65 MHz	Art. no. 509394
EW-DX SK (W5-6)	1240.1 - 1251.875 MHz & 1253.125 - 1259.9 MHz	Art. no. 700718
EW-DX SK (Y1-3)	1785.2 - 1799.8 MHz	Art. no. 509397
EW-DX SK 3-PIN (Q1-9)	470.2 - 550 MHz	Art. no. 509398
EW-DX SK 3-PIN (R1-9)	520 - 607.8 MHz	Art. no. 509399
EW-DX SK 3-PIN (S1-10)	606.2 - 693.8 MHz	Art. no. 509400
EW-DX SK 3-PIN (S2-10)	614.2 - 693.8 MHz	Art. no. 509403
EW-DX SK 3-PIN (S4-10)	630 - 693.8 MHz	Art. no. 509404
EW-DX SK 3-PIN (U1/5)	823.2 - 831.8 MHz & 863.2 - 864.8 MHz	Art. no. 509405
EW-DX SK 3-PIN (V3-4)	925.2 - 937.3 MHz	Art. no. 509407
EW-DX SK 3-PIN (V5-7)	941.7 - 951.8 MHz & 953.05 - 956.05 MHz & 956.65 - 959.65 MHz	Art. no. 509408
EW-DX SK 3-PIN (W5-6)	1240.1 - 1251.875 MHz & 1253.125 - 1259.9 MHz	Art. no. 700709
EW-DX SK 3-PIN (Y1-3)	1785.2 - 1799.8 MHz	Art. no. 509411

MICROPHONE COMPATIBILITY

Lavalier and headset microphones compatible with the EW-DX SK bodypack transmitter

ME 2	Omni-directional lavalier microphone Models produced from 2021 onward, featuring a gold-plated connector*
ME 4	Cardioid lavalier microphone Models produced from 2021 onward, featuring a gold-plated connector*
MKE Essential (EW)	Omni-directional lavalier microphone
MKE 2 (EW)	Omni-directional lavalier microphone Models produced from 2018 onward, featuring a blue serial number plate
MKE 1 (EW)	Omni-directional lavalier microphone
ME 3	Cardioid headset microphone Models produced from 2021 onward, featuring a gold-plated connector*
HSP Essential (EW)	Omni-directional headset microphone
HSP 2 (EW)	Omni-directional headset microphone Models produced from March 2020 onward (featuring code 1090 or later)
HS 2 (EW)	Omni-directional headset microphone Models produced from 2021 onward, featuring a gold-plated connector*
Headmic 1 (EW)	Omni-directional headset microphone

* Models produced prior to 2021 will feature a nickel connector. Earlier models may pick up noise when placed close to the transmitter and are not recommended for use



Evolution Wireless Digital

EW-DX SK | EW-DX SK 3-PIN

Bodypack Transmitter

MICROPHONE COMPATIBILITY

Lavalier and headset microphones compatible with the EW-DX SK 3-PIN bodypack transmitter

MKE 1 (3-Pin)	Lavalier microphone with omni-directional pattern, article no. 502167
MKE 2 (3-Pin)	Lavalier microphone with omni-directional pattern, article no. 004736
MKE 40 (3-Pin)	Lavalier microphone with cardioid pattern, article no. 003579
MKE Essential (3-Pin) Black	Lavalier microphone with omni-directional pattern, article no. 508251
MKE Essential (3-Pin) Beige	Lavalier microphone with omni-directional pattern, article no. 508252
HSP 2 (3-Pin)	Cardioid headset microphone Models produced from 2021 onward, featuring a gold-plated connector*
HSP 4 (3-Pin)	Omni-directional headset microphone
Headmic 1 (3-Pin)	Omni-directional headset microphone Models produced from March 2020 onward (featuring code 1090 or later)
HSP Essential (3-Pin) Black	Omni-directional headset microphone Models produced from 2021 onward, featuring a gold-plated connector*
HSP Essential (3-Pin) Beige	Omni-directional headset microphone

* Models produced prior to 2021 will feature a nickel connector. Earlier models may pick up noise when placed close to the transmitter and are not recommended for use

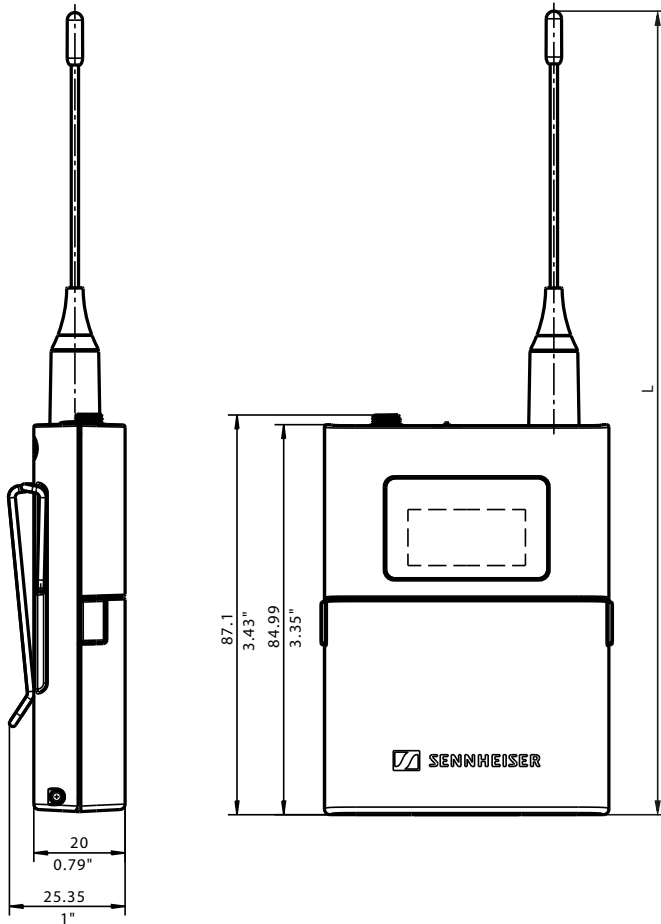
ACCESSORIES

BA 70	Rechargeable battery pack for SK and SKM	Art. no. 508860
L 70 USB	Charger for BA 70 rechargeable battery pack	Art. no. 508861
EW-D CHARGING SET	Set of L 70 USB charger and 2 BA 70 rechargeable battery packs	Art. no. 508862
CHG 70N-C	Network-enabled charger for SK, SKM and BA 70	Art. no. 700332
CHG 70N-C + PSU KIT	CHG 70N-C charger with NT 12-35 CS power supply unit	Art. no. 700333

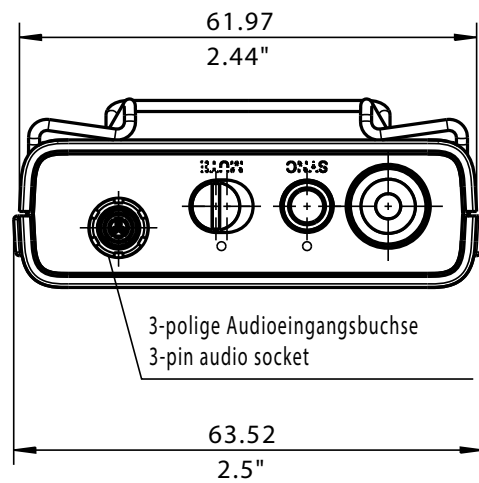
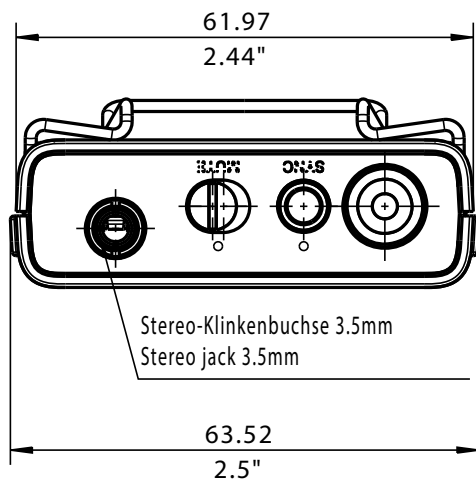


Evolution Wireless Digital EW-DX SK | EW-DX SK 3-PIN Bodypack Transmitter

DIMENSIONS



Frequenzbereich Frequency range	L
(Q1-9) 470.2 - 550 MHz	231.8 / 9.13"
(R1-9) 520 - 607.8 MHz	217.8 / 8.57"
(S1-10) 606.2 - 693.8 MHz	195.8 / 7.71"
(S2-10) 614.2 - 693.8 MHz	195.8 / 7.71"
(S4-10) 630 - 693.8 MHz	195.8 / 7.71"
(U1/5) 823.2 - 831.8 MHz 863.2 - 864.8 MHz	166.2 / 6.54"
(V3-4) 925.2 - 937.3 MHz	157.8 / 6.21"
(V5-7) 941.7 - 951.8 MHz 953.05 - 956.05 MHz 956.65 - 959.65 MHz	157.8 / 6.21"
(Y1-3) 1785.2-1799.8 MHz	203.8 / 8.02"





Evolution Wireless Digital

EW-DX SK | EW-DX SK 3-PIN

Bodypack Transmitter

EW-DX SK bodypack transmitter

The bodypack transmitter shall be for use with a companion receiver as part of a digital wireless RF transmission system.

The bodypack transmitter shall operate within the following UHF frequency ranges, with a switching bandwidth of up to 88 MHz: 470.2 – 550 MHz, 520 – 607.8 MHz, 606.2 – 693.8 MHz, 614.2 – 693.8 MHz, 630 – 693.8 MHz, 823.2 – 831.8 MHz, 863.2 – 846.8 MHz, 925.2 – 937.3 MHz, 941.7 – 951.8 MHz, 953.05 – 956.05 MHz, 956.65 – 959.65 MHz, 1240.1 - 1251.875 MHz, 1253.125 - 1259.9 MHz, 1785.2 – 1799.8 MHz. Different frequency variants shall be available depending on country-specific regulations.

The audio frequency response shall be between 20 Hz and 20 kHz (-3 dB). Audio total harmonic distortion (THD) shall be ≤ -60 dB for 1 kHz @ -3 dBfs input level. Dynamic range shall be 134 dB. System latency shall be 1.9 ms.

Occupied bandwidth shall be 200 kHz. Transmit power (radiated) shall be 10 mW ERP (1785.2 – 1799.8 MHz Range: 12 mW ERP).

A programmable mute switch shall be provided for muting or unmuting either the audio signal or the radio signal. The mute switch can also be deactivated.

The bodypack transmitter shall be menu-driven with a backlit elnk display showing the relevant status information such as frequency, battery status or AES 256 encryption status.

All transmitter parameters shall be adjustable with function buttons on the device itself or by Bluetooth Low Energy (BLE) synchronization via the associated receiver. The function buttons shall be lockable against accidental misuse.

Power shall be supplied to the bodypack transmitter by two 1.5 V AA size batteries or by one Sennheiser BA 70 rechargeable battery pack. Operating time shall be typically 12 hours with a battery pack and up to 8 hours with AA batteries.

The bodypack transmitter shall feature charging contacts for direct charging of the transmitter with inserted BA 70 battery pack in a Sennheiser CHG 70N-C network-enabled charger.

The bodypack transmitter's microphone/line input shall utilize a lockable 3.5 mm Jack socket.

The bodypack transmitter shall be compatible with microphones for every application: Sennheiser lavalier microphones ME 2, ME 4, MKE 1, MKE 2 and MKE Essential, Sennheiser headset microphones HS 2, HSP 2, HSP Essential, ME 3 and Headmic 1.

The bodypack transmitter shall have a rugged metal housing; dimensions shall be approximately 63.5 x 85 x 20 mm (2.5" x 3.35" x 0.79"). Weight without batteries shall be approximately 115 - 120 grams depending on antenna length. Operating temperature shall range from -10 °C to $+50$ °C ($+14$ °F to $+122$ °F).

The bodypack transmitter shall be the Sennheiser EW-DX SK.

EW-DX SK 3-PIN bodypack transmitter

The bodypack transmitter shall be for use with a companion receiver as part of a digital wireless RF transmission system.

The bodypack transmitter shall operate within the following UHF frequency ranges, with a switching bandwidth of up to 88 MHz: 470.2 – 550 MHz, 520 – 607.8 MHz, 606.2 – 693.8 MHz, 614.2 – 693.8 MHz, 630 – 693.8 MHz, 823.2 – 831.8 MHz, 863.2 – 846.8 MHz, 925.2 – 937.3 MHz, 941.7 – 951.8 MHz, 953.05 – 956.05 MHz, 956.65 – 959.65 MHz, 1240.1 - 1251.875 MHz, 1253.125 - 1259.9 MHz, 1785.2 – 1799.8 MHz. Different frequency variants shall be available depending on country-specific regulations.

The audio frequency response shall be between 20 Hz and 20 kHz (-3 dB). Audio total harmonic distortion (THD) shall be ≤ -60 dB for 1 kHz @ -3 dBfs input level. Dynamic range shall be 134 dB. System latency shall be 1.9 ms.

Occupied bandwidth shall be 200 kHz. Transmit power (radiated) shall be 10 mW ERP (1785.2 – 1799.8 MHz Range: 12 mW ERP).

A programmable mute switch shall be provided for muting or unmuting either the audio signal or the radio signal. The mute switch can also be deactivated.

The bodypack transmitter shall be menu-driven with a backlit elnk display showing the relevant status information such as frequency, battery status or AES 256 encryption status.

All transmitter parameters shall be adjustable with function buttons on the device itself or by Bluetooth Low Energy (BLE) synchronization via the associated receiver. The function buttons shall be lockable against accidental misuse.

Power shall be supplied to the bodypack transmitter by two 1.5 V AA size batteries or by one Sennheiser BA 70 rechargeable battery pack. Operating time shall be typically 12 hours with a battery pack and up to 8 hours with AA batteries.

The bodypack transmitter shall feature charging contacts for direct charging of the transmitter with inserted BA 70 battery pack in a Sennheiser CHG 70N-C network-enabled charger.

The bodypack transmitter's microphone/line input shall utilize a lockable 3-pin audio socket.

The bodypack transmitter shall be compatible with microphones for every application: Sennheiser lavalier microphones MKE 1, MKE 2, MKE 40 and MKE Essential, Sennheiser headset microphones HSP 2, HSP 4, HSP Essential and Headmic 1.

The bodypack transmitter shall have a rugged metal housing; dimensions shall be approximately 63.5 x 85 x 20 mm (2.5" x 3.35" x 0.79"). Weight without batteries shall be approximately 115 - 120 grams depending on antenna length. Operating temperature shall range from -10 °C to $+50$ °C ($+14$ °F to $+122$ °F).

The bodypack transmitter shall be the Sennheiser EW-DX SK 3-PIN.