



# ADP UHF

## Passive directional UHF antenna



ADP UHF (470 - 1075 MHz)



ADP UHF (1200 - 1800 MHz)

Passive directional antenna for use with Evolution Wireless Digital systems.

The ADP UHF passive directional antenna is the perfect addition for enhancing the wireless performance of your Evolution Wireless Digital system. The 3/8" and 5/8" threads make it easy to mount on any mic stand. The ADP UHF can be connected to the EW-D EM receiver, the EW-D AB antenna booster or EW-D ASA antenna splitter.

The Antenna is available in two frequency ranges: 470 to 1075 MHz and 1200 to 1800 MHz.

### FEATURES

- UHF transmission greatly enhances range, reliability and scalability
- Built-in 3/8" and 5/8" threads allow for easy mic stand mounting

### ARTICLE INFORMATION

|                                  |                 |
|----------------------------------|-----------------|
| <b>ADP UHF (470 - 1075 MHz)</b>  | Art. no. 508863 |
| <b>ADP UHF (1200 - 1800 MHz)</b> | Art. no. 700716 |

### ACCESSORIES

|                                |                         |                |                 |
|--------------------------------|-------------------------|----------------|-----------------|
| <b>EW-D AB (Q)</b>             | Antenna Booster         | 470 – 550 MHz  | Art. no. 508873 |
| <b>EW-D AB (R)</b>             | Antenna Booster         | 520 – 608 MHz  | Art. no. 508874 |
| <b>EW-D AB (S)</b>             | Antenna Booster         | 606 – 694 MHz  | Art. no. 508875 |
| <b>EW-D AB (U)</b>             | Antenna Booster         | 823 – 865 MHz  | Art. no. 508876 |
| <b>EW-D AB (V)</b>             | Antenna Booster         | 902 – 960 MHz  | Art. no. 508877 |
| <b>EW-D ASA (Q-R-S)</b>        | Active Antenna Splitter | 470 – 694 MHz  | Art. no. 508879 |
| <b>EW-D ASA (T-U-V-W)</b>      | Active Antenna Splitter | 694 – 1075 MHz | Art. no. 508880 |
| <b>EW-D ASA CN/ANZ (Q-R-S)</b> | Active Antenna Splitter | 470 – 694 MHz  | Art. no. 508998 |



# ADP UHF

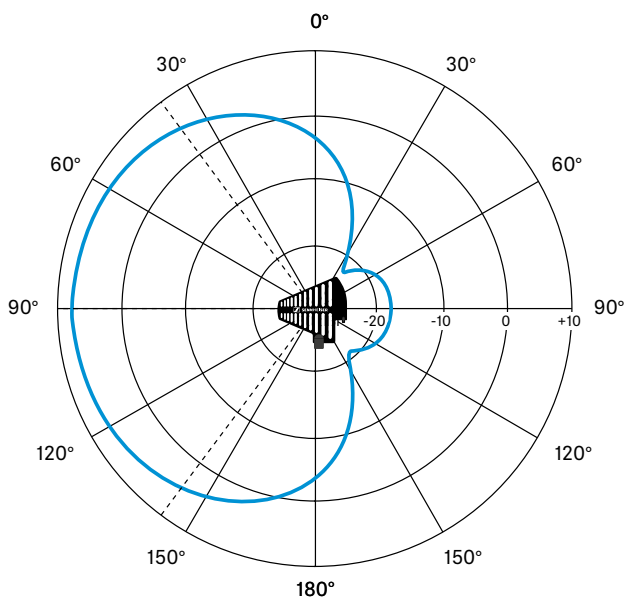
## Passive directional UHF antenna

### SPECIFICATIONS

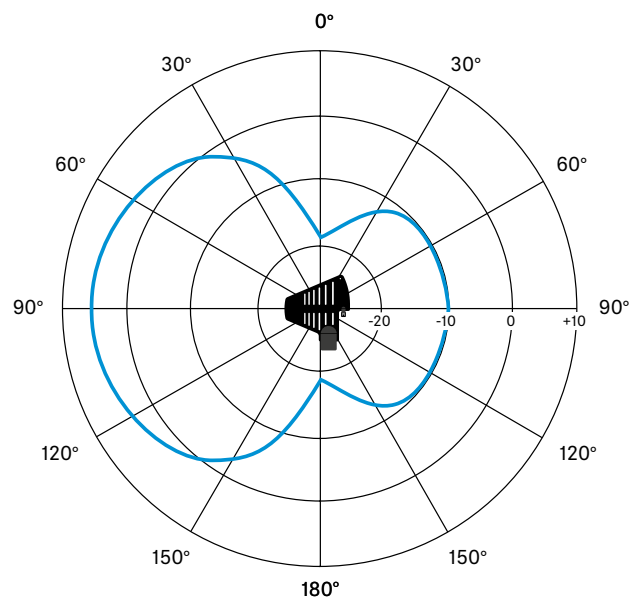
|                             | ADP UHF (470 - 1075 MHz)            | ADP UHF (1200 - 1800 MHz)    |
|-----------------------------|-------------------------------------|------------------------------|
| Frequency range             | 470 - 1075 MHz                      | 1200 - 1800 MHz              |
| Apex angle (-3 dB)          | approx. 100°                        | approx. 105°                 |
| Front-to-back ratio         | > 14 dB                             | > 12 dB                      |
| Gain                        | typ. 5 dBi                          | typ. 6 dBi                   |
| Impedance                   | 50 Ω                                |                              |
| Connection                  | BNC female, no DC path              |                              |
| Threads for tripod mounting | 3/8" and 5/8"                       |                              |
| Dimensions                  | 319 x 310 mm (12.56" x 12.2")       | 217 x 191 mm (8.54" x 7.52") |
| Weight                      | Approx. 1100 g (2.43 lbs)           | approx. 172 g                |
| Operating temperature range | -10 °C - +55 °C<br>(14 °F - 131 °F) |                              |
| Storage temperature range   | -20 °C - +85 °C<br>(-4 °F - 185 °F) |                              |
| Relative humidity           | max. 95 % (non-condensing)          |                              |

### POLAR PATTERN

ADP UHF (470 - 1075 MHz)



ADP UHF (1200 - 1800 MHz)

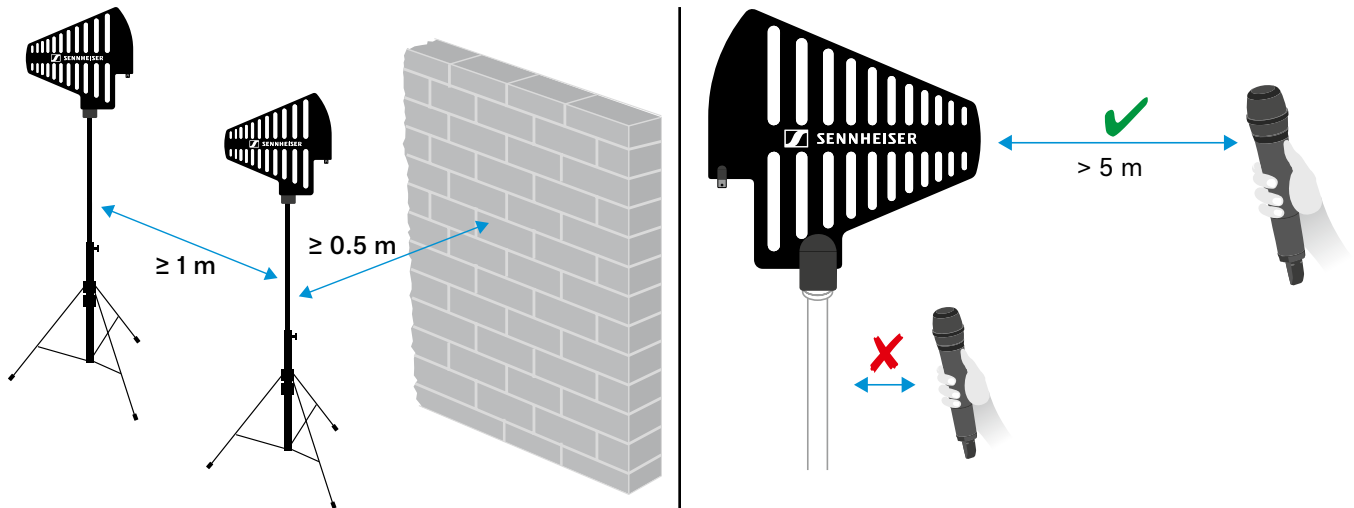




# ADP UHF

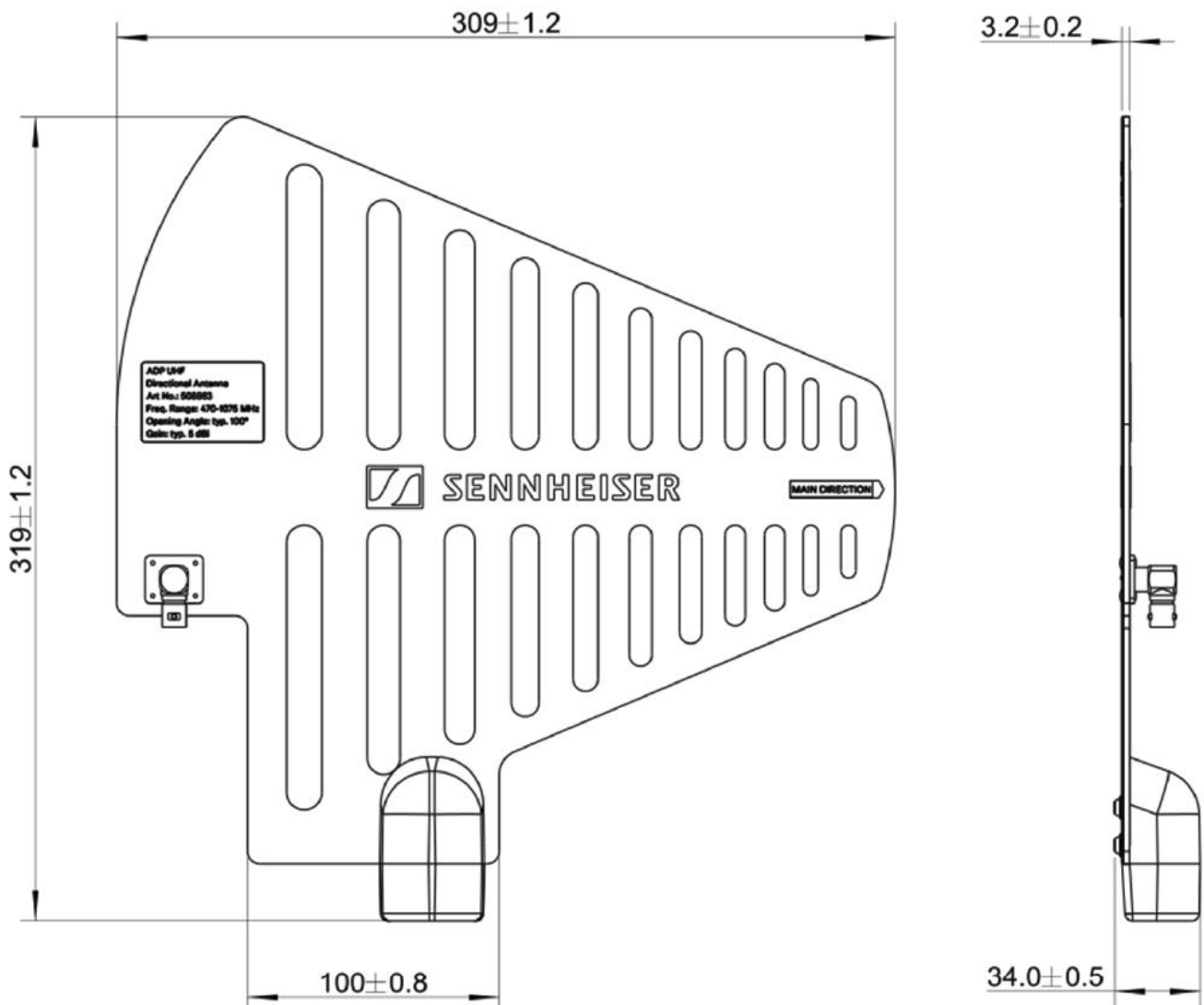
## Passive directional UHF antenna

### POSITIONING



### DIMENSIONS

ADP UHF (470 - 1075 MHz)





# ADP UHF

## Passive directional UHF antenna

### DIMENSIONS

ADP UHF (1200 - 1800 MHz)

