



EW-D ASA

Active Antenna Splitter

Quick Guide
 Kurzanleitung
 Guide de démarrage rapide
 Guida rapida
 Instrucciones resumidas
 Instruções resumidas
 Beknopte gebruiksaanwijzing
 Krótka instrukcja obsługi
 Snabbguide

Kort vejledning
 Pikaohje
 Σύντομες οδηγίες
 Kısa Kılavuz
 Краткая инструкция
 快速指南
 快速使用指南
 クイックガイド
 요약 안내서

SENNHEISER



www.sennheiser.com/documentation



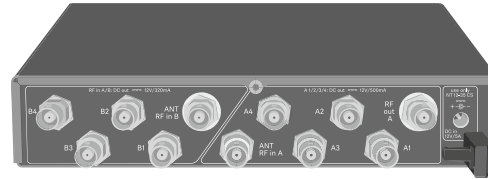
www.sennheiser.com/download

Sennheiser electronic SE & Co. KG

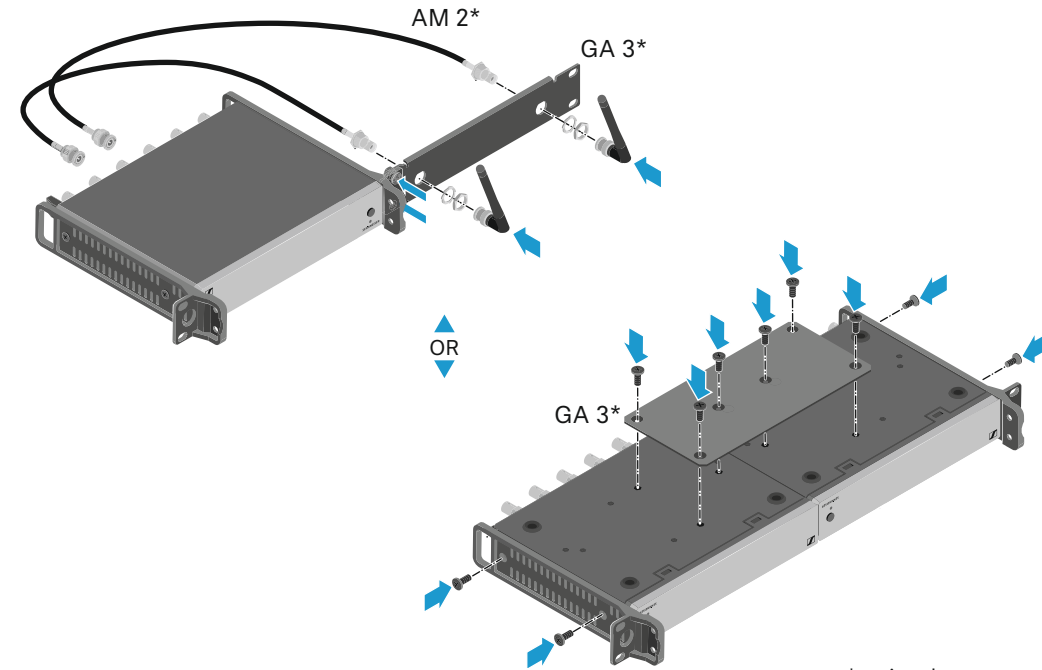
Am Labor 1, 30900 Wedemark, Germany
www.sennheiser.com

Publ. 04/26, 583967/A04

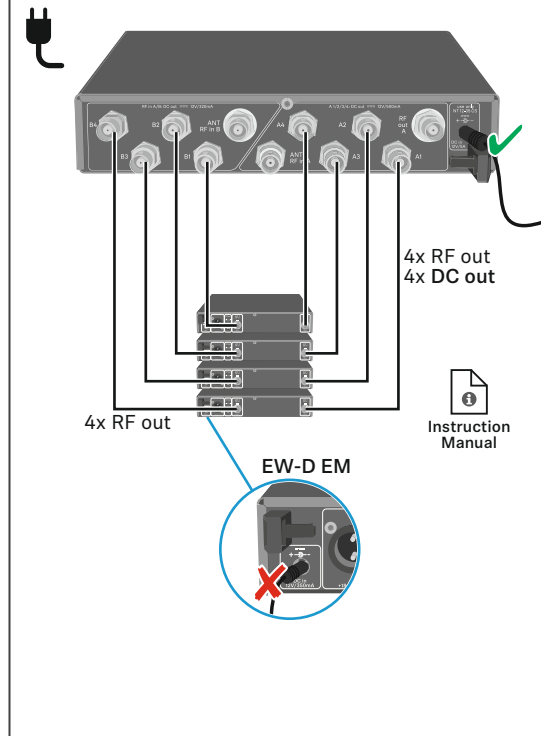
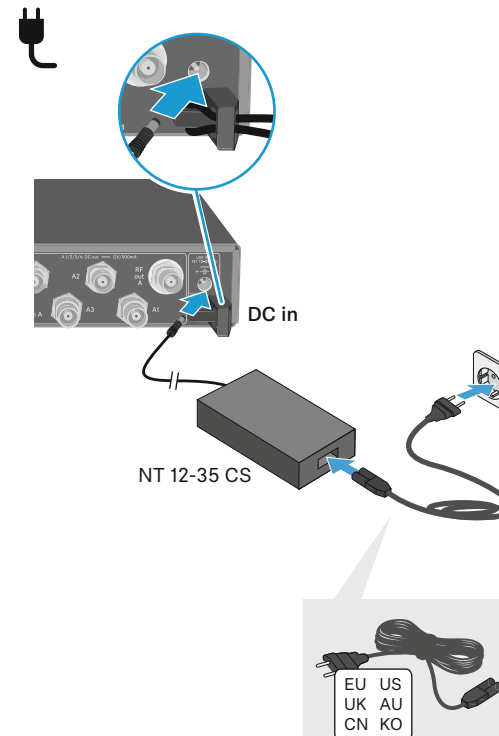
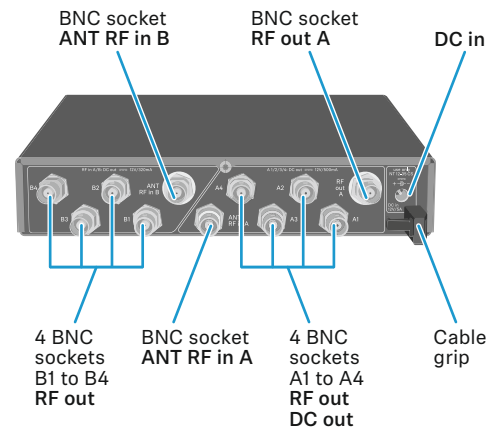
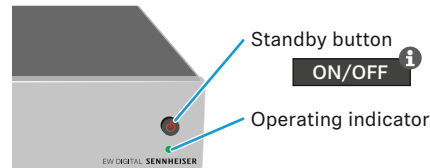
EW-D ASA



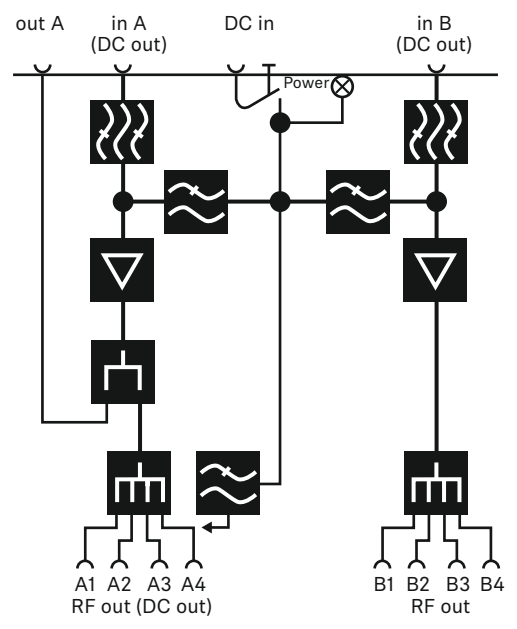
Setup



Operating elements

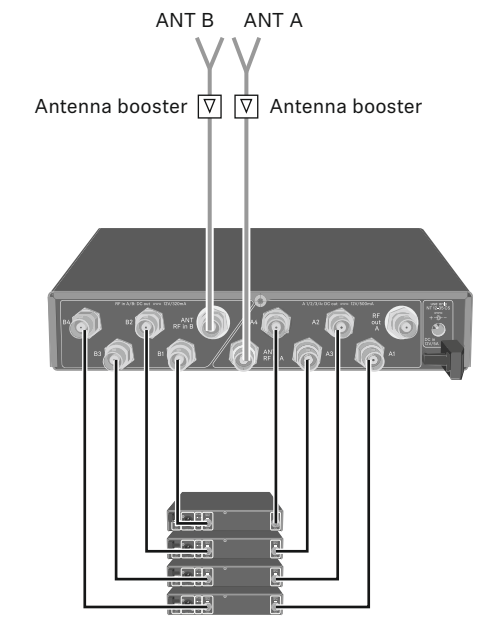


Block diagram

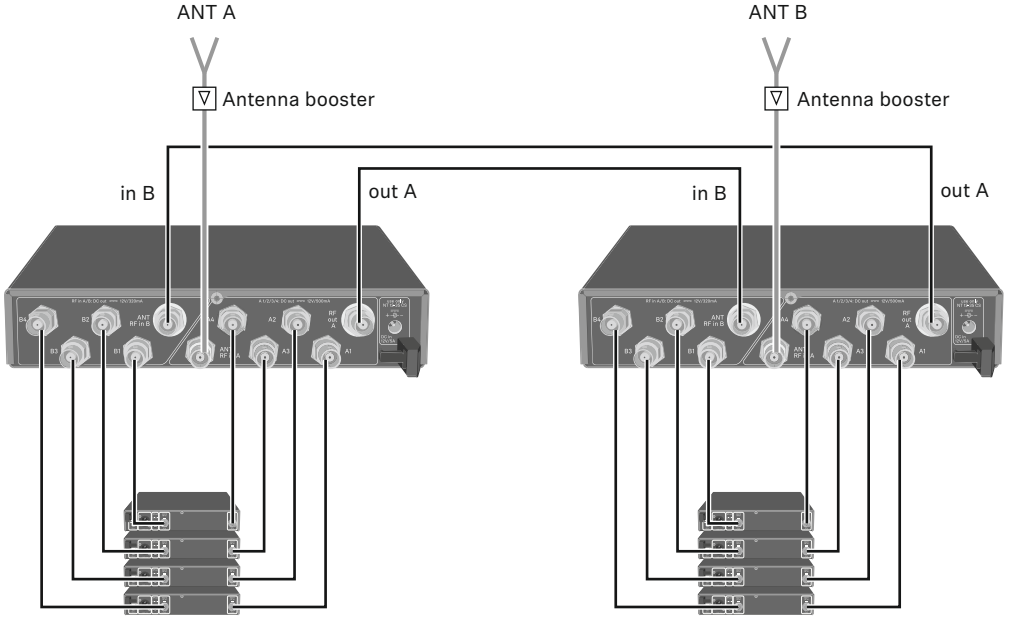


Connecting devices

A: Two antennas supplying a 4-channel system



B: Linking two 4-channel systems



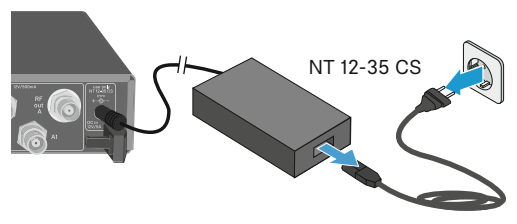
ON/OFF

ON/Standby

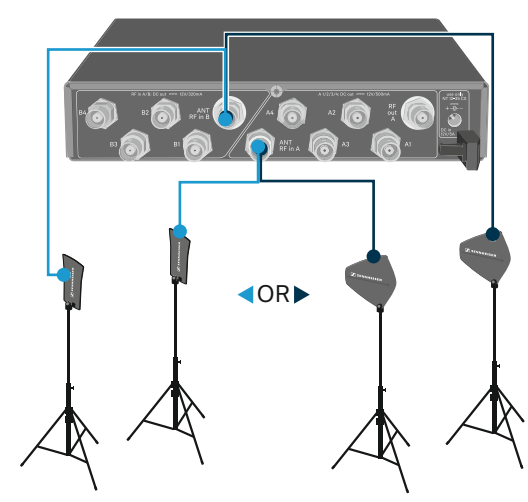


	EW-D ASA
short	on
long	standby

OFF



Remote antennas, maximum cable lengths and antenna booster setup → Instruction Manual



C: Two antennas supplying an 8-channel system

