



# MEB 102 | MEB 102-L MEB 104 | MEB 104-L

Quick Guide  
 Kurzanleitung  
 Guide de démarrage rapide  
 Guida rapida  
 Instrucciones resumidas  
 Instruções resumidas  
 Beknopte gebruiksaanwijzing  
 Krótka instrukcja obsługi  
 Snabbguide

Kort vejledning  
 Pikaohje  
 Γρήγορος οδηγός  
 Kısa Kılavuz  
 Краткая инструкция  
 快速指南  
 快速使用指南  
 クイックガイド  
 퀵 가이드

**SENNHEISER**



[www.sennheiser.com/documentation](http://www.sennheiser.com/documentation)



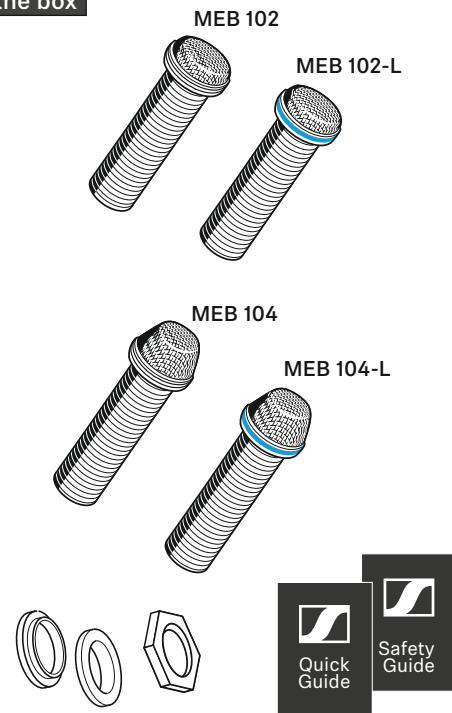
[www.sennheiser.com/download](http://www.sennheiser.com/download)

Sennheiser electronic SE & Co. KG

Am Labor 1, 30900 Wedemark, Germany  
[www.sennheiser.com](http://www.sennheiser.com)

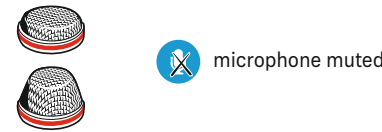
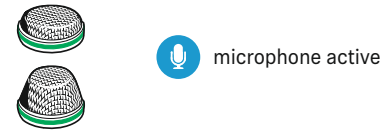
Publ. 05/26, 549115/A06

## In the box

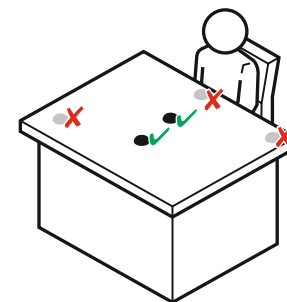
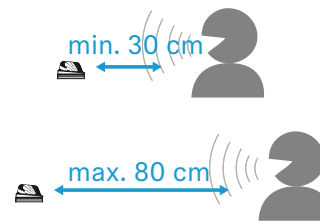
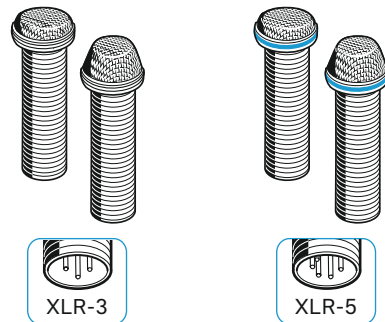
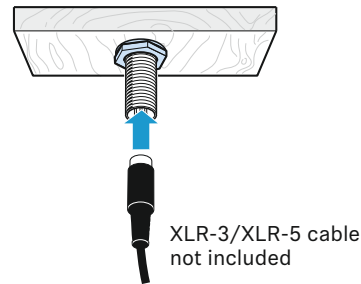


## LED status

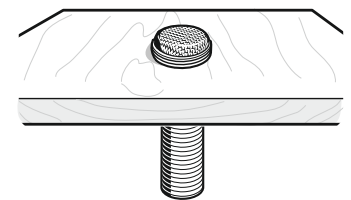
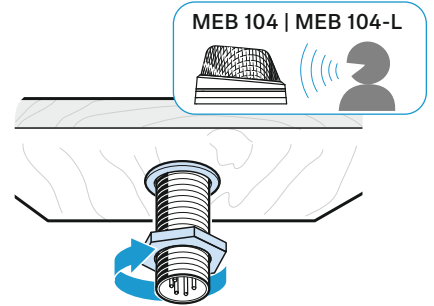
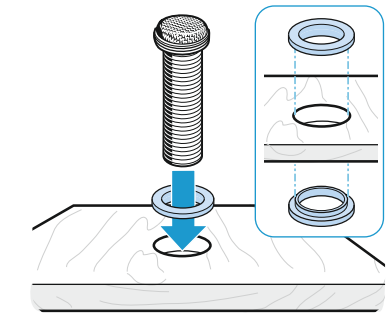
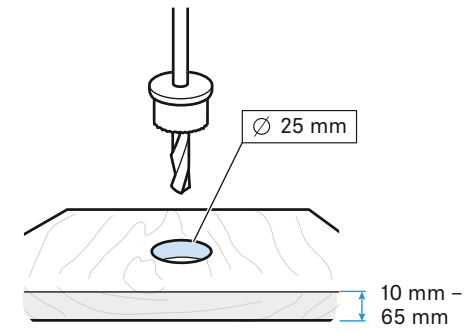
### MEB 102-L + MEB 104-L



## Setup



## Mounting

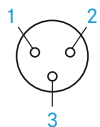


## Connector assignment

MEB 102



MEB 104

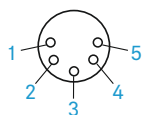


- 1 ground
- 2 microphone +
- 3 microphone -

MEB 102-L



MEB 104-L



- 1 ground
- 2 microphone +
- 3 microphone -
- 4 LED green (trigger signal)
- 5 LED red (default)

## Specifications

Microphones	MEB 102	MEB 102-L	MEB 104	MEB 104-L
Pick-up pattern	omni-directional		cardioid	
Frequency response	40 Hz – 20,000 Hz			
Acoustic principle	pressure zone microphone			
Nominal impedance (at 1 kHz)	200 Ω			
Sensitivity	16 mV/Pa		14 mV/Pa	
Max. SPL	125 dB at 1 kHz			
Equivalent noise level (CCIR-weighted)	21 dB(A)		28 dB(A)	
Power supply	48 V phantom power			
Current consumption	3 mA	6 mA (microphone/signal light ring: 3 mA each)	6 mA (microphone/signal light ring: 3 mA each)	3 mA
Connector	XLR-3	XLR-5	XLR-5	XLR-3
Temperature	operation: -10 °C – +50 °C   storage: -25 °C – +70 °C			
Dimensions	microphone head: ∅ approx. 29 mm tread: ∅ approx. 20 mm rubber rings: ∅ approx. 23 mm			
Weight	approx. 58 g		approx. 60 g	