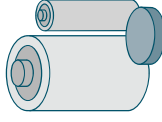
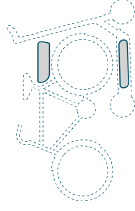


BATTERIES



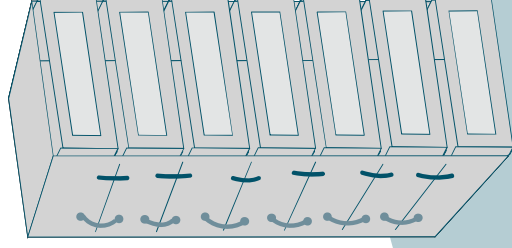
Portable batteries ≤5kg

Code	Product	Fee
B2	Button cell	42:80SEK/kg
B4	NIMH	1SEK/kg
B5	Alkaline	14SEK/kg
B6	Li primary	50SEK/kg
B71	Li-ion LCO	10SEK/kg
B72	Li-ion NMC	10SEK/kg
B73	Li-ion NCA	10SEK/kg
B74	Li-ion LFP	10SEK/kg
B75	Li-ion LMO	10SEK/kg
B76	Li-ion LTO	10SEK/kg
B77	Li-ion, unspecified	10:50SEK/kg



Batteries for light vehicles ≤25kg

Code	Product	Fee
L1	Nicd	11SEK/kg
L3	Lead	1SEK/kg
L4	NIMH	1SEK/kg
L71	Li-ion LCO	10SEK/kg
L72	Li-ion NMC	10SEK/kg
L73	Li-ion NCA	10SEK/kg
L74	Li-ion LFP	10SEK/kg
L75	Li-ion LMO	10SEK/kg
L76	Li-ion LTO	10SEK/kg



Industry batteries 5kg - 25kg

Code	Product	Fee
I1(B)	Nicd	20SEK/kg
I3(B)	Lead	0:50SEK/kg
I4(B)	NIMH	0:50SEK/kg
I5(B)	Alkaline	14SEK/kg
I6(B)	Li primary	50SEK/kg
I71(B)	Li-ion LCO	10SEK/kg
I72(B)	Li-ion NMC	10SEK/kg
I73(B)	Li-ion NCA	10SEK/kg
I74(B)	Li-ion LFP	10SEK/kg
I75(B)	Li-ion LMO	10SEK/kg
I76(B)	Li-ion LTO	10SEK/kg

Industry batteries 25kg - 100kg

Code	Product	Fee
I1(C)	Nicd*	20SEK/kg
I3(C)	Lead*	0:50SEK/kg
I4(C)	NIMH*	0:50SEK/kg
I5(C)	Alkaline*	14SEK/kg
I6(C)	Li primary*	50SEK/kg
I71(C)	Li-ion LCO*	25SEK/kg
I72(C)	Li-ion NMC*	25SEK/kg
I73(C)	Li-ion NCA*	25SEK/kg
I74(C)	Li-ion LFP*	25SEK/kg
I75(C)	Li-ion LMO*	25SEK/kg
I76(C)	Li-ion LTO*	25SEK/kg

*: The fee is calculated on battery weight, not total weight.

Industry batteries >100kg

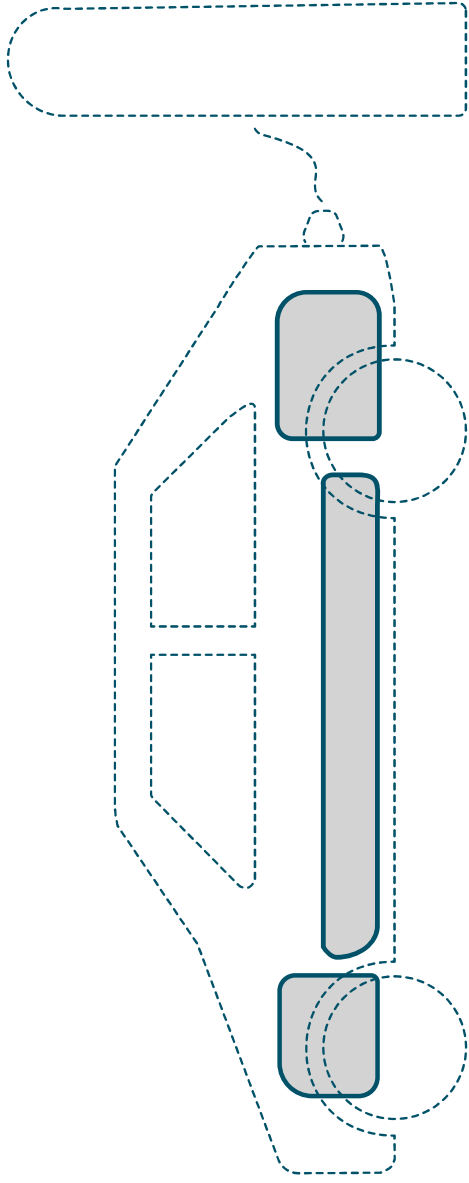
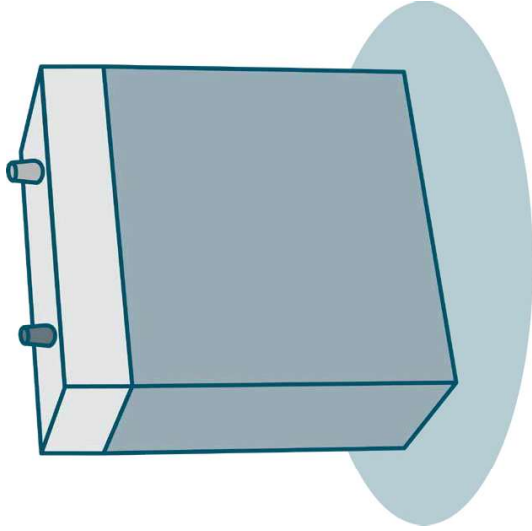
Code	Product	Fee
I1(D)	Nicd*	20SEK/kg
I3(D)	Lead*	0:50SEK/kg
I4(D)	NIMH*	0:50SEK/kg
I5(D)	Alkaline*	14SEK/kg
I6(D)	Li primary*	50SEK/kg
I71(D)	Li-ion LCO*	25SEK/kg
I72(D)	Li-ion NMC*	25SEK/kg
I73(D)	Li-ion NCA*	25SEK/kg
I74(D)	Li-ion LFP*	25SEK/kg
I75(D)	Li-ion LMO*	25SEK/kg
I76(D)	Li-ion LTO*	25SEK/kg

*: The fee is calculated on battery weight, not total weight.

Industry batteries ≤5kg

Code	Product	Fee
I1(A)	Nicd	11SEK/kg
I2(A)	Button cell	42:80SEK/kg
I3(A)	Lead	1SEK/kg
I4(A)	NIMH	1SEK/kg
I5(A)	Alkaline	14SEK/kg
I6(A)	Li primary	50SEK/kg
I71(A)	Li-ion LCO	10SEK/kg
I72(A)	Li-ion NMC	10SEK/kg
I73(A)	Li-ion NCA	10SEK/kg
I74(A)	Li-ion LFP	10SEK/kg
I75(A)	Li-ion LMO	10SEK/kg
I76(A)	Li-ion LTO	10SEK/kg

BATTERIES



Start/Lighting/Ignition batteries

Code	Product	Fee
S1	Nicd	20SEK/kg
S3	Lead	0-50SEK/kg
S4	NIMH	0-50SEK/kg
S71	Li-ion LCO	10SEK/kg
S72	Li-ion NMC	10SEK/kg
S73	Li-ion NCA	10SEK/kg
S74	Li-ion LFP	10SEK/kg
S75	Li-ion LMO	10SEK/kg
S76	Li-ion LTO	10SEK/kg

Electric vehicle batteries 25kg - 100kg

Code	Product	Fee
E1(C)	Nicd*	20SEK/kg
E3(C)	Lead*	0-50SEK/kg
E4(C)	NIMH*	0-50SEK/kg
E71(C)	Li-ion LCO*	15SEK/kg
E72(C)	Li-ion NMC*	15SEK/kg
E73(C)	Li-ion NCA*	15SEK/kg
E74(C)	Li-ion LFP*	15SEK/kg
E75(C)	Li-ion LMO*	15SEK/kg
E76(C)	Li-ion LTO*	15SEK/kg

*: The fee is calculated on battery weight, not total weight.

Electric vehicle batteries >100kg

Code	Product	Fee
E1(D)	Nicd*	20SEK/kg
E3(D)	Lead*	0-50SEK/kg
E4(D)	NIMH*	0-50SEK/kg
E71(D)	Li-ion LCO*	15SEK/kg
E72(D)	Li-ion NMC*	15SEK/kg
E73(D)	Li-ion NCA*	15SEK/kg
E74(D)	Li-ion LFP*	15SEK/kg
E75(D)	Li-ion LMO*	15SEK/kg
E76(D)	Li-ion LTO*	15SEK/kg

*: The fee is calculated on battery weight, not total weight.

Product List & Fees

2026-01-01

CLARIFICATION

OTHER ELECTRONIC EQUIPMENT

Simply put, other electronic equipment can be explained as products that are not categorized as consumer electronics.

El-Kretsen does not offer to collect and treat other electronic equipment on the same basis as consumer electronics. Products that are difficult to handle on account of size or other aspects may require handling that is not covered by the environmental fee. If the producer or end user wishes to deposit the WEEE or wishes El-Kretsen to collect it, additional charges may apply. A quote for such charges will be given on each occasion. When other WEEE is to be collected, the producer or end user is advised to first discuss the matter with El-Kretsen.

CLARIFICATION ON LIGHTING PRODUCTS: CONSUMER ELECTRONIC EQUIPMENT

Luminaire with integrated lighting is declared as luminaire. If you sell a luminaire together with a replaceable light source, the luminaire is declared as luminaire and the light source on a separate row for Light sources. If, for example, light sources are sold in a package of 3 pieces, they shall be declared as 3 in number and the total weight of the three light sources.

CLARIFICATION ON LIGHTING PRODUCTS: OTHER ELECTRONIC EQUIPMENT

Removable light sources are to be declared as consumer products (in code 5.2 or 5.3) regardless of whether they are sold in a consumer or an "other electronic equipment"-luminaire. Light sources that are integrated in the luminaire, are declared as luminaires.

CLARIFICATION ON BATTERIES

When a battery is sold as its own product, for example a package with 4 loose batteries, you enter 4 pieces on the selected row for that type of battery, and the total weight of the four batteries. For built-in batteries and batteries included with a product you report the product weight, including the weight of the battery on the row for the product, and the battery weight on the row for batteries.

GENERAL CONDITIONS

VALIDITY

This price list applies as of 1 January 2026.

CHARGES

SEK 500/year for electronic equipment and **SEK 15,000/year** for batteries. **SEK 1,000** entry fee.

SEK 7,500 SEK/year for the Authorised Representative agreement (for electronic equipment). The amount includes the supervision fee.

SEK 6,000 SEK/year for declaration of packaging via El-Kretsen.

VARIABLE CHARGE

Charges depending on amounts or kilos. See "WHAT IS INCLUDED IN THE ENVIRONMENTAL FEE?".

REPORTING INTERVALS

Monthly: Affiliated companies report their sales to El-Kretsen on a monthly bases no later than the 10th of the following month.

Quarterly: An affiliated company that wishes to report quarterly may do so. For quarterly reporting an interest of 2 per cent per month is charged for the intermediate months to cover liquidity and administration.

The current declaration period for packaging is declared no later than the 20th of the following month.

Please note that reporting is required even if the kilos, pieces and/or charge amounts to SEK 0. This is because the reporting forms the basis for the annual reporting to the Swedish Environmental Protection Agency.

Amounts that do not exceed SEK 50 are only invoiced at the end of the calendar year. If a declaration is not submitted on time, there will be a penalty fee of SEK 300 per late declaration. After two reminders, late submission interest will be charged on every invoice at a rate of 2 % on top of the declaration amount.

PRODUCT CATEGORY COVER

The above are products covered by the producer responsibility for which El-Kretsen provides a collection and recycling system). More information on individual products can be found in the Product Library in My Pages.

WHAT IS INCLUDED IN THE ENVIRONMENTAL FEE?

The variable fee covers transportation from El-Kretsen's collection sites as well as sorting, recycling and disposal of collected products. The variable fee does not include free pick-up of electronics or batteries (whether intended for consumer or other use). However, a business can request on-site pick-ups at an additional charge according to a separate price list to cover vessel and transportation costs.

QUESTIONS?

Please visit www.el-kretsen.se or send an e-mail to info@el-kretsen.se.

El-Kretsen is ISO certified:
SS-EN ISO 9001:2015 och SS-EN ISO 14001:2015

