



www.sennheiser.com/documentation



www.sennheiser.com/download



e 608

Quick Guide

Kurzanleitung

Guide rapide

Guía rápida

Guía de inicio rápido

Guía rápido

Beknopte handleiding

Krótká instrukcja obsługi

Snabbguide

Kvikstartguide

Pikaohje

Γρήγορος οδηγός

Kisa Kilavuz

Краткая инструкция

快速指南

快速使用指南

クイックガイド

퀵 가이드

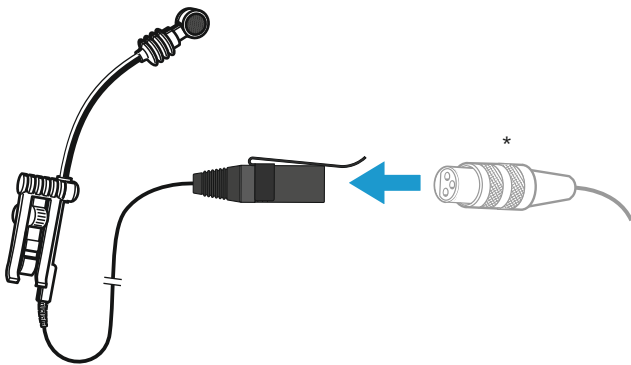
Sennheiser electronic SE & Co. KG

Am Labor 1, 30900 Wedemark, Germany
www.sennheiser.com

Publ. 05/26, 581325/A06

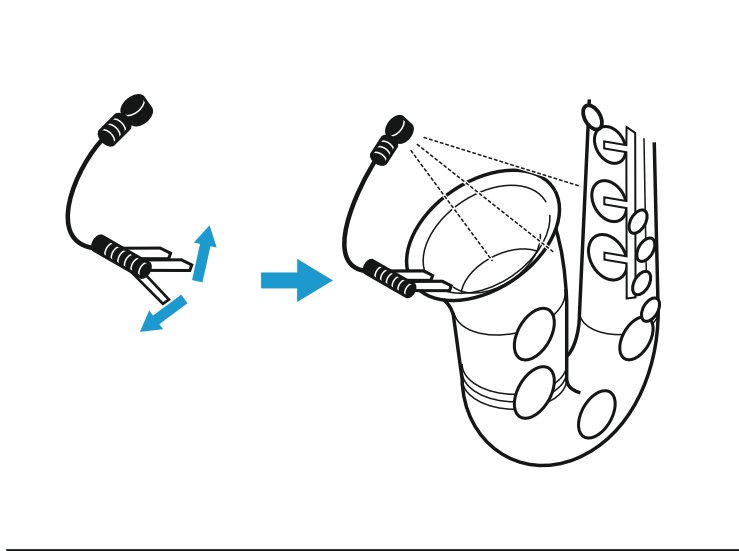
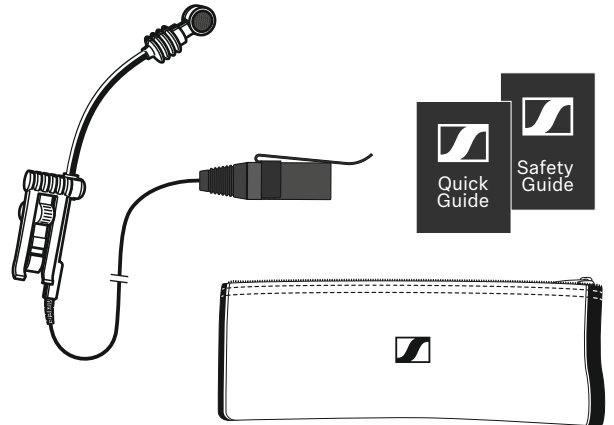
SENNHEISER

Setup

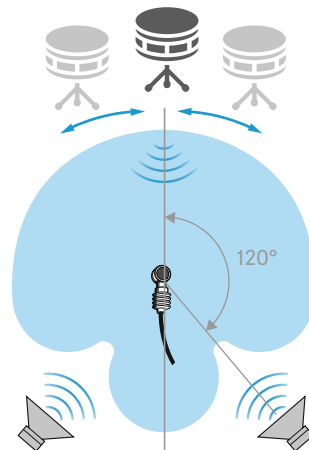
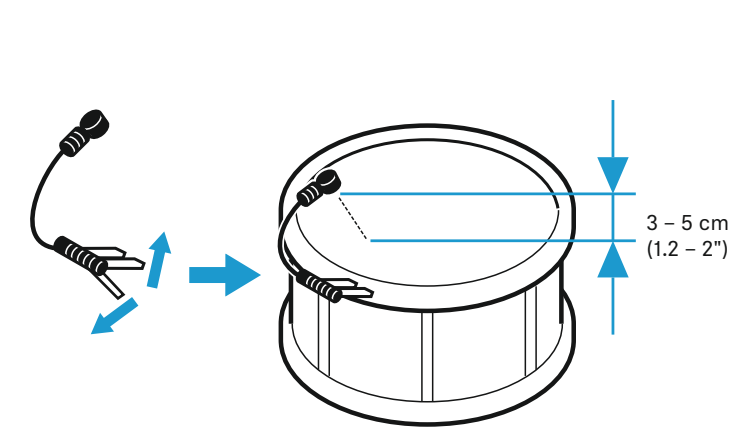
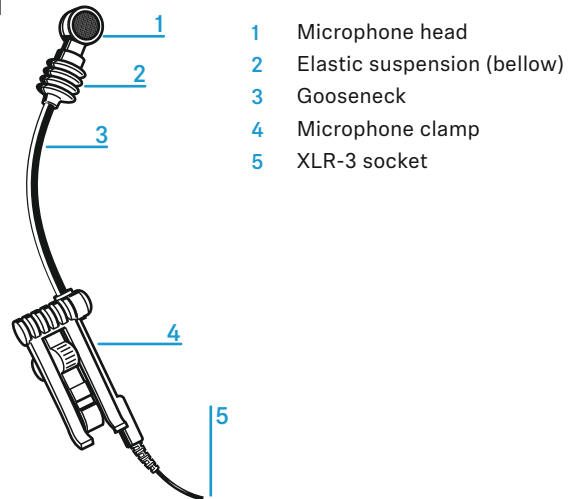


*XLR-3 cable not included

In the box



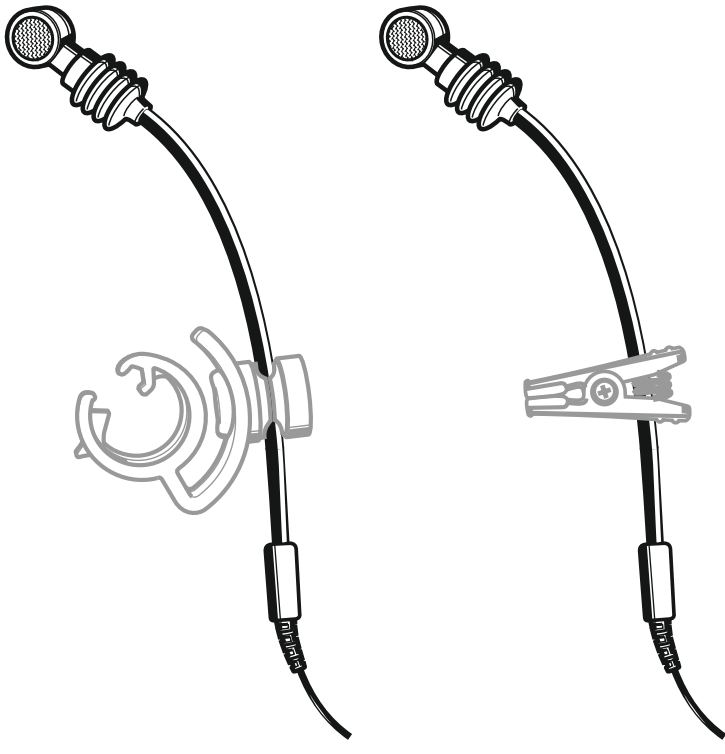
Overview



Accessories

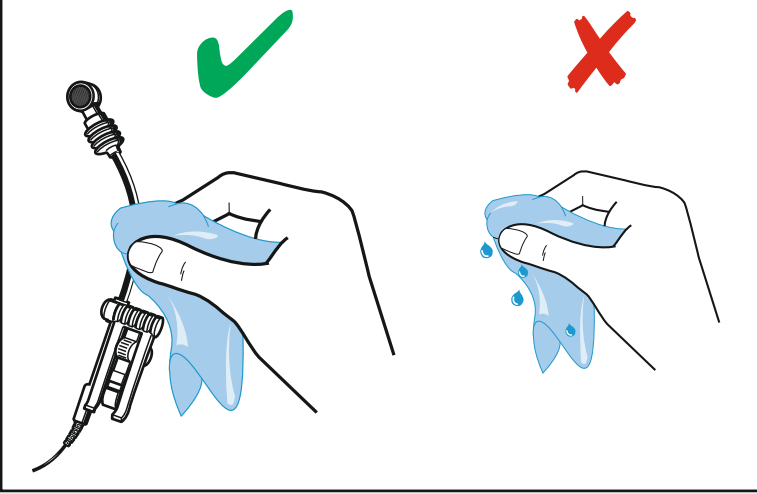
e 608 + MZH 908 D*

e 608 + MZH 908 B*



*not included

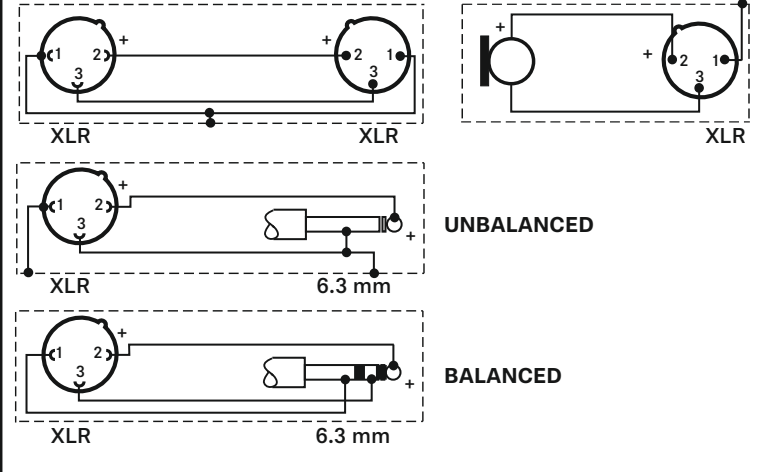
Cleaning



Specifications

Transducer principle	dynamic
Frequency response	40 - 16,000 Hz
Pick-up pattern	super-cardioid
Sensitivity (free field, at 1 kHz)	0.8 mV/Pa
Nominal impedance (at 1 kHz)	250 Ω
Min. terminating impedance	1 kΩ
Connector	XLR-3
Temperature range	0 °C to +40 °C
Dimensions	∅ 17 x 185 mm
Weight	20 g

Connector assignment



Polar pattern and frequency response

