



evolution wireless G4 ew 300 G4-Base SKM-S | Handheld Base Set



Best choice for your business, top of the class in education. The G4 300 Series uses the power of an increased switching bandwidth of up to 88 MHz. New frequency ranges allow to operate multi-channel setups with dozens of channels while securing reliable operation - despite digital dividend.

The best choice if you need a handheld transmitter and maximum flexibility. This base set consists of the stationary receiver as well as a handheld transmitter. Just add your favorite capsule.

FEATURES

- Easy to use, fast setup time
- Integrated network port allows control, monitoring and setup via Sennheiser Control Cockpit and WSM Software
- Broad range of products and existing accessories (such as microphones) allows usage in any kind of environment
- Up to 88 MHz bandwidth, up to 32 channels
- Increased RF output power (10/30/50 mW)
- Transmission Range: up to 100 meters / 330 feet
- Compatible with wireless speaker system LSP 500 PRO
- RC (remote control) switch available for the bodypack transmitter

DELIVERY INCLUDES

- EM 300-500 G4 true diversity receiver
- SKM 300 G4-S handheld transmitter
- GA 3 rackmount set
- MZQ 1 microphone clamp
- power supply
- 2 AA batteries
- 2 rod antennas
- quick guide
- safety guide
- manufacturer declaration sheet

ACCESSORIES

MMD 935	cardioid dynamic microphone head	Art. no. 502577
MMD 945	supercardioid dynamic microphone head	Art. no. 502579
MMK 965	condenser microphone head with switchable characteristics	Art. no. 502582
BA 2015	rechargeable battery	Art. no. 009950
LA 2	charging adapter for L 2015 charger	Art. no. 503162
L 2015	charger	Art. no. 009828
KEN 2	identification rings	Art. no. 530195



evolution wireless G4

ew 300 G4-Base SKM-S | Handheld Base Set

SPECIFICATIONS

EM 300-500 G4

RF characteristics	
Modulation	Wideband FM
Frequency ranges	Aw+: 470 - 558 MHz AS: 520 - 558 MHz Gw1: 558 - 608 MHz Gw: 558 - 626 MHz GBw: 606 - 678 MHz Bw: 526 - 698 MHz Cw: 718 - 790 MHz Dw: 790 - 865 MHz JB: 806 - 810 MHz K+: 925 - 937.5 MHz
Receiving frequencies	Max. 3520 receiving frequencies, adjustable in 25 kHz steps 20 frequency banks, each with up to 32 factory-pre-set channels, no intermodulation 6 frequency banks with up to 32 programmable channels
Switching bandwidth	up to 88 MHz
Nominal/peak deviation	± 24 kHz / ± 48 kHz
Receiver principle	True diversity
Sensitivity (with HDX, peak deviation)	$< 2.5 \mu\text{V}$ for 52 dBa _{eff S/N}
Adjacent channel selection	Typically ≥ 75 dB
Intermodulation attenuation	Typically ≥ 70 dB
Blocking	≥ 75 dB

Squelch	5 to 25 dB μV in steps of 2 dB
Pilot tone squelch	Can be switched off
Antenna inputs	2 BNC sockets

AF characteristics

Compander system	Sennheiser HDX
EQ presets (switchable, act on line and monitor outputs)	Preset 1: Flat Preset 2: Low Cut (-3 dB at 180 Hz) Preset 3: Low Cut/High Boost (-3 dB at 180 Hz, +6 dB at 10 kHz) Preset 4: High Boost (+6 dB at 10 kHz)
Signal-to-noise ratio (1 mV, peak deviation)	≥ 115 dBA
Total harmonic distortion (THD)	≤ 0.9 %
AF output voltage (at peak deviation, 1 kHz AF)	6.3 mm jack socket (unbalanced): +12 dBu XLR socket (balanced): +18 dBu
Setting range "AF Out"	48 dB (3 dB steps)
Overall device	
Temperature range	-10 °C to +55 °C
Power supply	12 V DC
Current consumption	350 mA
Dimensions	Approx. 202 x 212 x 43 mm
Weight	Approx. 980 g

CONNECTIONS





evolution wireless G4

ew 300 G4-Base SKM-S | Handheld Base Set

SPECIFICATIONS

SKM 300 G4

RF characteristics	
Modulation	Wideband FM
Frequency ranges	Aw+: 470 - 558 MHz AS: 520 - 558 MHz Gw1: 558 - 608 MHz Gw: 558 - 626 MHz GBw: 606 - 678 MHz Bw: 526 - 698 MHz Cw: 718 - 790 MHz Dw: 790 - 865 MHz JB: 806 - 810 MHz K+: 925 - 937.5 MHz
Transmission frequencies	Max. 3520 frequencies, adjustable in 25 kHz steps 20 frequency banks, each with up to 32 factory-pre-set channels, no intermodulation 6 frequency banks with up to 32 programmable channels
Switching bandwidth	up to 88 MHz
Nominal/peak deviation	± 24 kHz / ± 48 kHz
Frequency stability	$\leq \pm 15$ ppm
RF output power at 50 Ω	switchable: Low: typ. 10 mW Standard: typ. 30 mW High: typ. 50 mW
Pilot tone squelch	Can be switched off

AF characteristics

Compander system	Sennheiser HDX
AF frequency response	80 - 18,000 Hz
Signal-to-noise ratio (1 mV, peak deviation)	≥ 115 dBA
Total harmonic distortion (THD)	≤ 0.9 %
Setting range for input sensitivity	48 dB, adjustable in 6 dB steps

Overall device

Temperature range	-10 °C to +55 °C
Power supply	2 AA batteries, 1.5 V or BA 2015 accupack
Nominal voltage	3 V battery / 2.4 V rechargeable battery
Current consumption	at nominal voltage: typ. 180 mA with transmitter switched off: ≤ 25 μ A
Operating time	Typically 8 h
Dimensions	Approx. $\varnothing 50$ x 265 mm
Weight (incl. batteries)	approx. 450 g

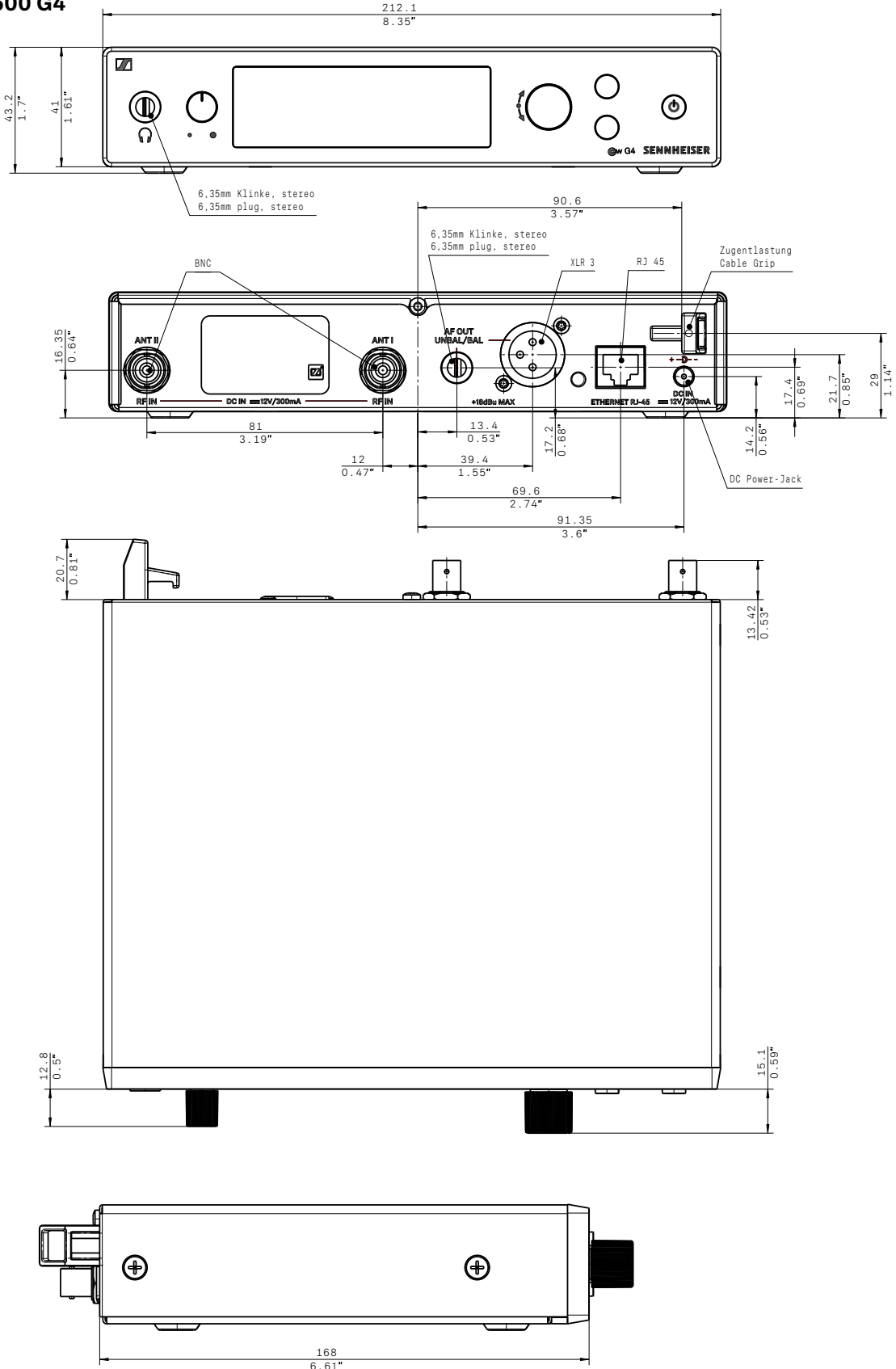


evolution wireless G4

ew 300 G4-Base SKM-S | Handheld Base Set

DIMENSIONS

EM 300-500 G4



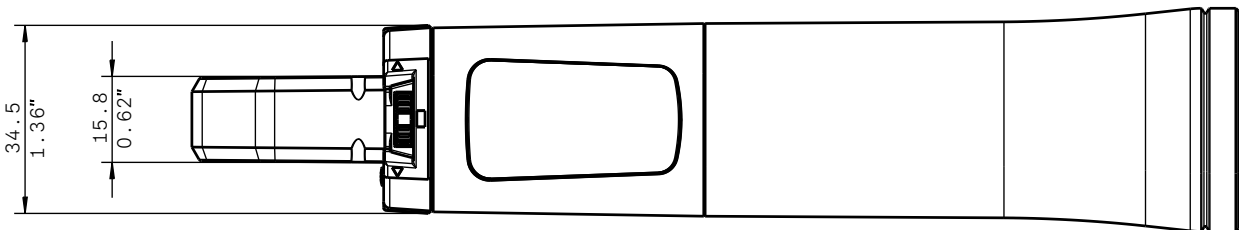
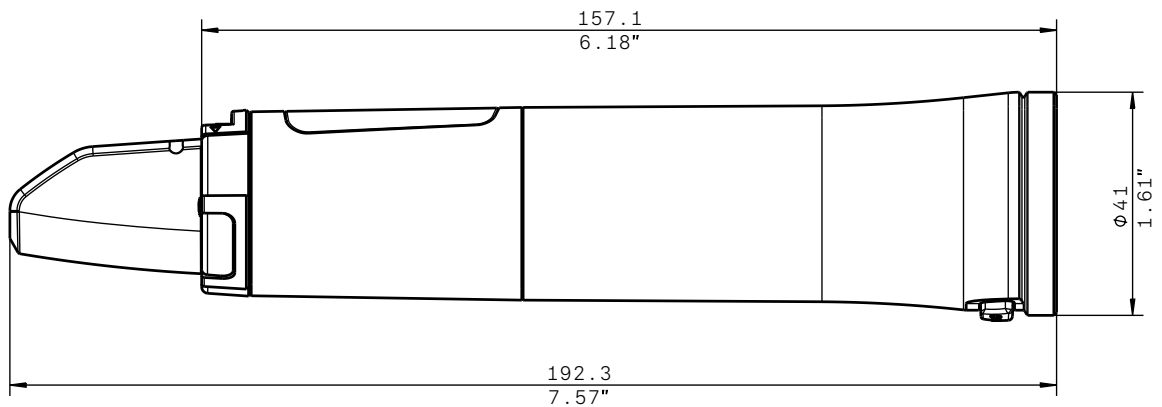
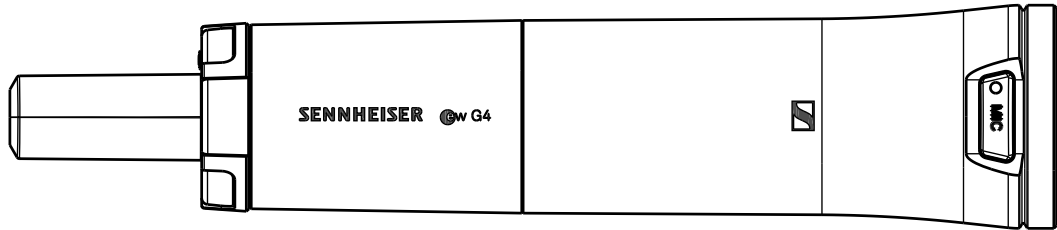


evolution wireless G4

ew 300 G4-Base SKM-S | Handheld Base Set

DIMENSIONS

SKM 300 G4





evolution wireless G4

ew 300 G4-Base SKM-S | Handheld Base Set

PRODUCT VARIANTS

Made in Germany

ew 300 G4-Base SKM-S-RC-K+	925 - 937.5 MHz	Art. no. 507703
ew 300 G4-Base SKM-S-RC-GBw	606 - 678 MHz	Art. no. 507704
ew 300 G4-Base SKM-S-RC-Gw	558 - 626 MHz	Art. no. 507705
ew 300 G4-Base SKM-S-RC-Bw	626 - 698 MHz	Art. no. 507706
ew 300 G4-Base SKM-S-RC-Cw	718 - 790 MHz	Art. no. 507707
ew 300 G4-Base SKM-S-RC-Dw	790 - 865 MHz	Art. no. 507708
ew 300 G4-Base SKM-S-RC-Aw+	470 - 558 MHz	Art. no. 508404

Assembled in USA

ew 300 G4-Base SKM-S-RC-AS	520 - 558 MHz	Art. no. 508043
ew 300 G4-Base SKM-S-RC-JB	806 - 810 MHz	Art. no. 508044
ew 300 G4-Base SKM-S-RC-Gw	558 - 626 MHz	Art. no. 508045
ew 300 G4-Base SKM-S-RC-Bw	626 - 698 MHz	Art. no. 508046
ew 300 G4-Base SKM-S-RC-Cw	718 - 790 MHz	Art. no. 508047
ew 300 G4-Base SKM-S-RC-Dw	790 - 865 MHz	Art. no. 508048
ew 300 G4-Base SKM-S-RC-Aw+	470 - 558 MHz	Art. no. 508425
ew 300 G4-Base SKM-S-RC-Gw1	558 - 608 MHz	Art. no. 508446

ARCHITECT'S SPECIFICATION

A wireless RF transmission system designed for presentation use and other applications where maximum speech intelligibility is required.

The system shall consist of a stationary receiver and a handheld transmitter.

The system shall operate within ten UHF frequency ranges, with a switching bandwidth of up to 88 MHz: 470 – 558 MHz, 520 – 558 MHz, 558 – 608 MHz, 558 – 626 MHz, 606 – 678 MHz, 626 – 698 MHz, 718 – 790 MHz, 790 – 865 MHz, 806 – 810 MHz, 925 – 937.5 MHz; receiving frequencies shall be 3520 per range and shall be tunable in 25 kHz steps. The system shall feature 20 fixed frequency banks with up to 32 compatible frequency presets and 6 user banks with up to 32 user programmable frequencies.

The receiver shall be menu-driven with a backlit OLED display showing the current frequency, frequency bank and channel number, metering of RF level, metering of AF level, lock status, pilot tone evaluation, muting function, and battery status of the associated transmitter. An auto-lock feature shall be provided to prevent settings from being accidentally altered. The receiver shall provide a sound check mode.

Some receiver parameters such as receiving frequency, receiver name and pilot tone setting shall be synchronizable with the associated transmitter via an integrated infrared interface.

The receiver shall feature a balanced XLR-3M audio output with a maximum output of +18 dBu along with an unbalanced ¼" (6.3 mm) audio output with a maximum output of +12 dBu. A headphone output with headphone volume control shall be provided and shall utilize a ¼" (6.3 mm) stereo jack socket. The receiver shall have an Ethernet port (RJ-45) for remote network-based monitoring and control using the Sennheiser Control Cockpit or the Sennheiser Wireless System Manager software. Two BNC-type input sockets shall be provided for connecting the antennas.

Nominal/peak deviation shall be ± 24 kHz/ ± 48 kHz. Squelch threshold shall be defeatable (off) or adjustable from 5 - 25 dB μ V in steps of 2 dB.



evolution wireless G4 ew 300 G4-Base SKM-S | Handheld Base Set

The receiver shall incorporate the Sennheiser HDX compander system and a defeatable pilot tone squelch. Sensitivity shall be $< 2 \mu\text{V}$ for 52 dBA eff S/N with HDX engaged at peak deviation. Adjacent channel rejection shall be ≥ 75 dB (typical). Intermodulation attenuation shall be ≥ 70 dB (typical); blocking shall be ≥ 75 dB. Four selectable equalizer presets shall be provided: "Flat", "Low Cut" (-3 dB at 180 Hz), "Low Cut/High Boost" (-3 dB at 180 Hz/ $+5.5$ dB at 10 kHz) and "High Boost" ($+5.5$ dB at 10 kHz). Signal-to-noise ratio at 1 mV and peak deviation shall be ≥ 115 dBA. Total harmonic distortion (THD) shall be ≤ 0.9 %. The audio output level shall be adjustable within a 48 dB range in steps of 3 dB.

The receiver shall operate on 12 V power supplied from the NT 2-3 CW mains unit (for 100 – 240 V AC, 50/60 Hz). Power consumption shall be 350 mA. The receiver shall have a rugged metal housing; dimensions shall be approximately 202 x 212 x 43 mm (7.95" x 8.35" x 1.69"). Weight shall be approximately 980 grams (2.16 lbs). Operating temperature shall range from -10 °C to $+55$ °C ($+14$ °F to $+131$ °F).

The receiver shall be the Sennheiser EM 300-500 G4.

The handheld transmitter shall be menu-driven with a backlit LC display showing the current frequency, frequency bank and channel number, metering of AF level, transmission status, lock status, pilot tone transmission, muting function, and battery status. An auto-lock feature shall be provided to prevent settings from being accidentally altered.

The handheld transmitter parameters shall be programmable in the handheld transmitter menu. Receiver parameters such as receiving frequency, receiver name and pilot tone setting shall be synchronizable with the handheld transmitter via an integrated infrared interface.

The handheld transmitter shall be equipped with a mute switch, which shall be switchable between "AF on/off", "RF on/off", "Push to mute", "Push to talk" and "Disabled" via the user interface.

Nominal/peak deviation shall be ± 24 kHz/ ± 48 kHz. Frequency stability shall be $\leq \pm 15$ ppm. RF output power at 50 Ω shall be switchable between 10 mW (typical, low) and 30 mW (typical, standard) and 50 mW (typical, high).

The handheld transmitter shall incorporate the Sennheiser HDX compander system and a defeatable pilot tone squelch. Audio frequency response shall range from 80 – 18,000 Hz. Signal-to-noise ratio at 1 mV and peak deviation shall be ≥ 115 dBA. Total harmonic distortion (THD) shall be ≤ 0.9 %. Input sensitivity shall be adjustable within a 48 dB range in steps of 6 dB.

Power shall be supplied to the handheld transmitter by two 1.5V AA size batteries or by one Sennheiser BA 2015 rechargeable accupack. Nominal voltage shall be 2.4 V, current consumption shall be typical 180 mA at nominal voltage; ≤ 25 μA when handheld transmitter is switched off. Operating time shall be typical 8 hours. The handheld transmitter shall have a rugged metal housing; dimensions shall be approximately 50 mm (1.97") in diameter and 265 mm (10.43") in length. Weight including the batteries shall be approximately 450 grams (0.99 lbs). Operating temperature shall range from -10 °C to $+55$ °C ($+14$ °F to $+131$ °F). A range of microphone heads shall be available for the handheld transmitter.

The handheld transmitter shall be the Sennheiser SKM 300 G4-S.