



evolution wireless G4

SK 500 G4 | Bodypack Transmitter



FEATURES

- Powerful bodypack transmitter with increased bandwidth and transmission power
- Easy and flexible wireless synchronization between transmitter and receiver via infrared
- Up to 32 compatible channels
- Up to 88 MHz bandwidth with 3520 selectable frequencies, fully tunable in a stable UHF range
- Ethernet connection for Wireless Systems Manager (WSM) control software for advanced frequency coordination in multi-channel setups
- High RF output power (up to 50 mW, adjustable in three steps 10/30/50) depending on country regulations

Powerful bodypack transmitter with increased bandwidth and transmission power, ready to take the world's biggest live stages. For evolution wireless G4 500 Series systems.

DELIVERY INCLUDES

- SK 500 G4 bodypack transmitter
- 2 AA batteries
- pouch
- quick guide
- safety guide
- manufacturer declaration sheet

ACCESSORIES

BA 2015	rechargeable battery	Art. no. 009950
L 2015	charger	Art. no. 009828
Ci 1-N	instrument cable	Art. no. 005021
CL 2	microphone cable	Art. no. 004840

PRODUCT VARIANTS

Made in Germany

SK 500 G4-K+	925 - 937.5 MHz	Art. no. 507774
SK 500 G4-GBw	606 - 678 MHz	Art. no. 507775
SK 500 G4-Gw	558 - 626 MHz	Art. no. 507776
SK 500 G4-Bw	626 - 698 MHz	Art. no. 507777
SK 500 G4-Cw	718 - 790 MHz	Art. no. 507778
SK 500 G4-Dw	790 - 865 MHz	Art. no. 507779
SK 500 G4-Aw+	470 - 558 MHz	Art. no. 508413

Assembled in USA

SK 500 G4-AS	520 - 558 MHz	Art. no. 508113
SK 500 G4-JB	806 - 810 MHz	Art. no. 508114
SK 500 G4-Gw	558 - 626 MHz	Art. no. 508115
SK 500 G4-Bw	626 - 698 MHz	Art. no. 508116
SK 500 G4-Cw	718 - 790 MHz	Art. no. 508117
SK 500 G4-Dw	790 - 865 MHz	Art. no. 508118
SK 500 G4-Aw+	470 - 558 MHz	Art. no. 508434
SK 500 G4-Gw1	558 - 608 MHz	Art. no. 508455



evolution wireless G4

SK 500 G4 | Bodypack Transmitter

SPECIFICATIONS

RF characteristics	
Modulation	Wideband FM
Frequency ranges	Aw+: 470 - 558 MHz AS: 520 - 558 MHz Gw1: 558 - 608 MHz Gw: 558 - 626 MHz GBw: 606 - 678 MHz Bw: 526 - 698 MHz Cw: 718 - 790 MHz Dw: 790 - 865 MHz JB: 806 - 810 MHz K+: 925 - 937.5 MHz
Transmission frequencies	Max. 3520 frequencies, adjustable in 25 kHz steps 20 frequency banks, each with up to 32 factory-pre-set channels, no intermodulation 6 frequency banks with up to 32 programmable channels
Switching bandwidth	up to 88 MHz
Nominal/peak deviation	± 24 kHz / ± 48 kHz
Frequency stability	$\leq \pm 15$ ppm
RF output power at 50 Ω	switchable: Low: typ. 10 mW Standard: typ. 30 mW High: typ. 50 mW
Pilot tone squelch	Can be switched off

AF characteristics	
Compander system	Sennheiser HDX
AF frequency response	Mic: 80 - 18,000 Hz Line: 25 - 18,000 Hz
Signal-to-noise ratio (1 mV, peak deviation)	≥ 115 dBA
Total harmonic distortion (THD)	≤ 0.9 %
Max. microphone/line input voltage	3 V _{eff}
Microphone/line input impedance	40 k Ω , unbalanced / 1 M Ω
Input capacitance	Switchable
Setting range for input sensitivity	60 dB, adjustable in 3 dB steps

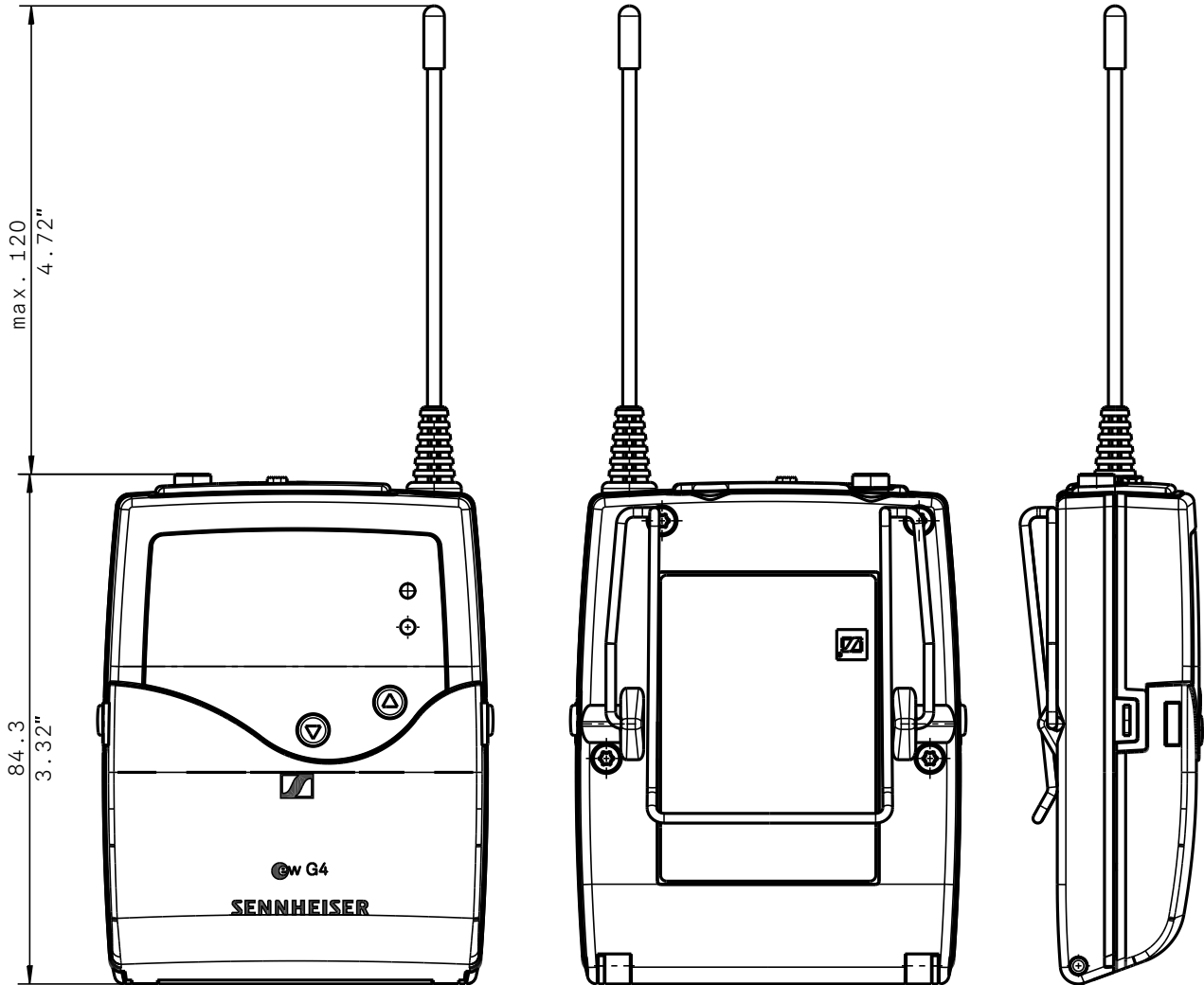
Overall device	
Temperature range	-10 °C to +55 °C
Power supply	2 AA batteries, 1.5 V or BA 2015 accupack
Nominal voltage	3 V battery / 2.4 V rechargeable battery
Current consumption	at nominal voltage: typ. 180 mA with transmitter switched off: ≤ 25 μ A
Operating time	Typically 8 h
Dimensions	Approx. 82 x 64 x 24 mm
Weight (incl. batteries)	approx. 160 g



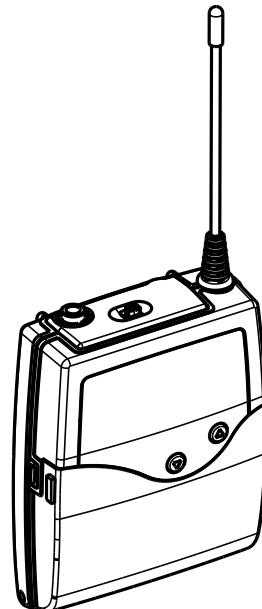
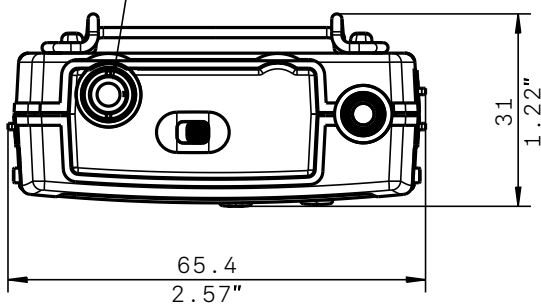
evolution wireless G4

SK 500 G4 | Bodypack Transmitter

DIMENSIONS



3,5mm Klinke
3,5mm plug





evolution wireless G4

SK 500 G4 | Bodypack Transmitter

ARCHITECT'S SPECIFICATION

The compact bodypack transmitter shall be for use with a companion receiver as part of a wireless RF transmission system.

The bodypack transmitter shall operate within ten UHF frequency ranges, with a switching bandwidth of up to 88 MHz: 470 – 558 MHz, 520 – 558 MHz, 558 – 608 MHz, 558 – 626 MHz, 606 – 678 MHz, 626 – 698 MHz, 718 – 790 MHz, 790 – 865 MHz, 806 – 810 MHz, 925 – 937.5 MHz; transmission frequencies shall be 3520 per range and shall be tunable in 25 kHz steps. The bodypack transmitter shall feature 20 fixed frequency banks with up to 32 compatible frequency presets and 6 user banks with up to 32 user programmable frequencies.

The bodypack transmitter shall be menu-driven with a backlit LC display showing the current frequency, frequency bank and channel number, metering of AF level, transmission status, lock status, pilot tone transmission, muting function, and battery status. An auto-lock feature shall be provided to prevent settings from being accidentally altered. The bodypack transmitter parameters shall either be configurable in the associated receiver's menu and synchronized with the bodypack transmitter via an integrated infrared interface or shall be programmable in the bodypack transmitter menu.

The bodypack transmitter shall be equipped with a mute switch, which shall be switchable between "AF on/off", "RF on/off" and "Disabled" via the user interface.

Nominal/peak deviation shall be ± 24 kHz/ ± 48 kHz. Frequency stability shall be $\leq \pm 15$ ppm. RF output power at 50 Ω shall be switchable between 10 mW (typical, low) and 30 mW (typical, standard) and 50 mW (typical, high).

The bodypack transmitter shall incorporate the Sennheiser HDX compander system and a defeatable pilot tone squelch. Audio frequency response shall range from 80 – 18,000 Hz (microphone) or 25 – 18,000 Hz (line). Signal-to-noise ratio at 1 mV and peak deviation shall be ≥ 115 dBA. Total harmonic distortion (THD) shall be ≤ 0.9 %. Input sensitivity shall be adjustable within a 60 dB range in steps of 3 dB.

Power shall be supplied to the bodypack transmitter by two 1.5V AA size batteries or by one Sennheiser BA 2015 rechargeable accupack. Nominal voltage shall be 2.4 V, current consumption shall be typical 180 mA at nominal voltage; ≤ 25 μ A when bodypack transmitter is switched off. Operating time shall be typical 8 hours. The bodypack transmitter shall have a rugged metal housing; dimensions shall be approximately 82 x 64 x 24 mm (3.23" x 2.52" x 0.94"). Weight including the batteries shall be approximately 160 grams (0.35 lbs). Operating temperature shall range from -10 °C to $+55$ °C ($+14$ °F to $+131$ °F).

The bodypack transmitter shall be the Sennheiser SK 500 G4.