

EM 3732-II

Features

- AES3 digital audio output with external word clock synchronization
- Switching bandwidth up to 184 MHz
- Integrated antenna splitter for daisy-chaining up to 8 devices
- Intuitive user interface with OLED display
- Network integration via Ethernet for WSM software on Macs and PCs

The "Wireless Systems Manager" (WSM) software for Macs and PCs enables the monitoring and control of all device parameters during live performances. This software can be downloaded free of charge at www.sennheiser.com.

The EM 3731/3732-II is a true diversity receiver that is characterized by high transmission reliability, exceptional audio quality and simple operation. The frequencies are adjustable in 5 kHz steps. Special features include the DSP-based HiDyn plus expander and its transformer-balanced audio outputs. The EM 3732 COM-II is also equipped with a command audio output. The EM 3731/3732-II is available in L, N and P frequency range variants and as a twin receiver (EM 3732-II) or single receiver (EM 3731-II).



Architects Specifications

A true diversity receiver with a high switching bandwidth should ensure maximum flexibility and reliability during live performances.

The display should be clearly laid out and easy to operate. It should be possible for all settings to be carried out centrally on the device using a jog dial.

It should be possible to cascade (daisy-chain) up to 8 devices using an integrated antenna splitter. The digital output according to the AES3/EBU standard must allow for the direct connection to digital mixing consoles. The receiver must be compatible with Sennheiser's 3000 and 5000 systems.

Technical Data

RF CHARACTERISTICS

Receiver principle	True diversity
Frequency ranges	L: 470 – 638 MHz N: 614 – 798 MHz P: 776 – 960 MHz
Switching bandwidth	Up to 184 MHz
Receiving frequencies	6 frequency banks, each with up to 59 factory-preset channels, 1 frequency bank with up to 60 freely tunable channels (in 5 kHz steps)
Frequency stability	≤ ±2.5 ppm
Sensitivity	typ. 1.5 µV for 52 dBA rms S/N (with HDP, peak deviation) 15 µV for 115 dBA rms S/N
Adjacent channel rejection/ spacing typ	75 dB / ±400 kHz 80 dB / ±800 kHz
Intermodulation attenuation	≥ 80 dB
Blocking	≥ 80 dB
Squelch	13 steps (0 ... 30 µV)
Antenna inputs	2 BNC sockets (50 Ω)
Daisy chain outputs	2 BNC sockets (50 Ω)
Gain	0.5 dB ±0.5 dB (ref. to antenna inputs)

Continued on page 2

Variants

EM 3731-II L, 470 - 638 MHz	Cat.No. 504073
EM 3731-II N, 614 - 798 MHz	Cat.No. 504074
EM 3731-II P, 776 - 960 MHz	Cat.No. 504075
EM 3732-II L, 470 - 638 MHz	Cat.No. 504076
EM 3732-II N, 614 - 798 MHz	Cat.No. 504077
EM 3732-II P, 776 - 960 MHz	Cat.No. 504078
EM 3732 COM-II L, 470 - 638 MHz	Cat.No. 504079
EM 3732 COM-II N, 614 - 798 MHz	Cat.No. 504080
EM 3732 COM-II P, 776 - 960 MHz	Cat.No. 504081

Recommended Accessories

AB 3700, broadband antenna booster	Cat.No. 502196
AD 3700, directional antenna	Cat.No. 502197
A 3700, omni-directional antenna	Cat.No. 502195
GZL AES 10, AES3 cable	Cat.No. 502432

Technical Data

AF CHARACTERISTICS

Compander	Sennheiser HiDyn plus™
Frequenze response	40 ... 20,000 Hz
Nominal/peak deviation	±40 kHz / ±56 kHz
Signal-to-noise ratio	≥ 118 dB(A) (1 mV, peak deviation)
THD	≤ 0.3% (at nominal deviation, 1 kHz)
Latency	≤ 1.9 ms
AF output voltage	+18 dBu to -10 dBu, adjustable in (at peak deviation, 1 kHz AF) ... 1 dB steps (transformer-balanced)
AF output sockets	1 XLR-3 socket per receiver, 2 per EM 3732-II COM receiver
Headphone output	2 x 100 mW at 32 Ω, internal resistance 10 Ω, short-circuit-proof

OVERALL DEVICE

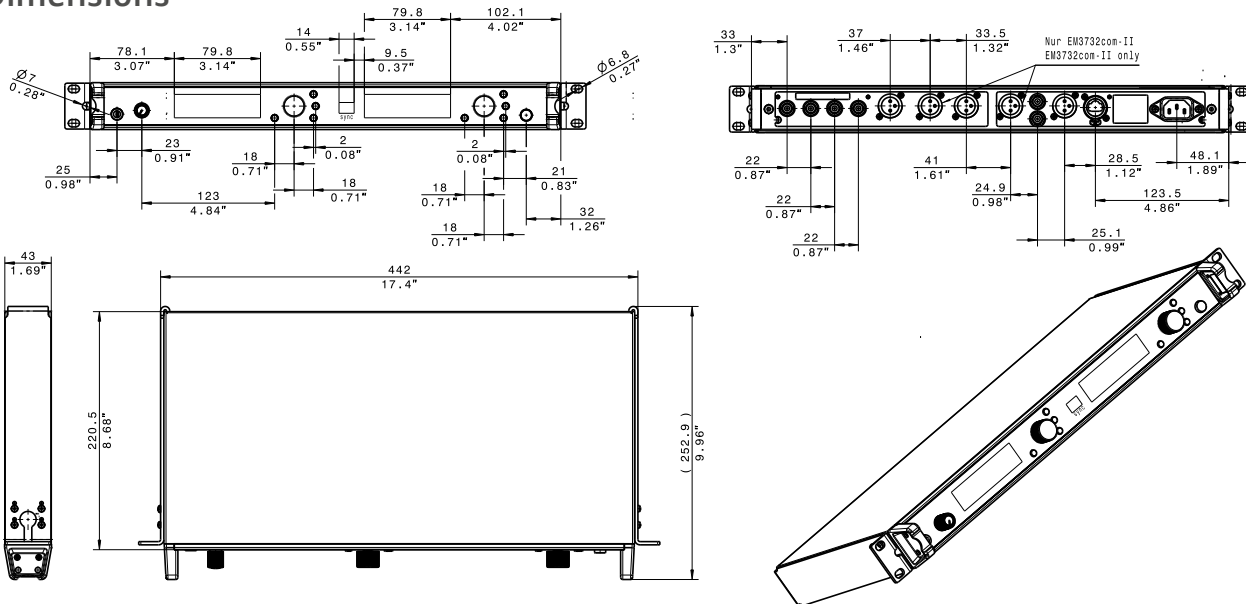
Power supply	100 – 240 V AC, 50 / 60 Hz
Current consumption	Max. 0.4 A
Power consumption	On: max. 20 W (50 VA) Device off, booster supply voltage on: max. 9.5 W Device and booster supply voltage off: max. 4 W
IEC mains connector	3-pin; protection class I, as per IEC/EN 60320-1
Booster voltage	12 V DC, 2 x max. 200 mA, short-circuit-proof, can be switched off
Ethernet	IEEE 802.3-2002, shielded RJ45 connector with optional additional latch
Digital output	AES3-2003, XLR-3, 44.1, 48, 88.2 or 96 kHz SR, 24 bit, externally synchronizable

Word clock connection	2 BNC sockets (75 Ω), daisy chain output
Accepted sampling rates	44.1, 48, 88.2 or 96 kHz
Word clock input impedance	75 Ω, transformer-balanced, AC-coupled
Input voltage range	200 mV ... 5 Vpp
Max. input voltage	15 V (DC + AC)
Word clock output impedance	75 Ω, transformer-balanced, AC-coupled
Output voltage	2.5 V ± 250 mV at 75 Ω source impedance
Dimensions	Approx. 436 x 215 x 44 mm (excl. rack mount ears)
Weight	Approx. 3,600 g (excl. rack mount ears) Approx. 4,080 g (incl. rack mount ears)

OPERATING CONDITIONS

Ambient temperature	-10 °C to +55 °C
Relative humidity	Max. 85% at 40°C (non-condensing)
Drip and splash water protection: The product may not be exposed to drip and splash water (IP 20)	

Dimensions



Sennheiser electronic GmbH & Co. KG
Am Labor 1, 30900 Wedemark, Germany
www.sennheiser.com