



Sennheiser Documentation App



or online at  
[www.sennheiser.com/download](http://www.sennheiser.com/download)  
 evolution wired\_



e 608

Quick Guide

- Kurzanleitung
- Guide rapide
- Guida rapida
- Guía de inicio rápido
- Guia rápido
- Beknopte handleiding
- Krótká instrukcja obsługi
- Snabbguide

Kvikstartguide

- Pikaohje
- Γρήγορος οδηγός
- Kısa Kılavuz
- Краткая инструкция
- 快速指南
- 快速使用指南
- クイックガイド
- 퀵 가이드

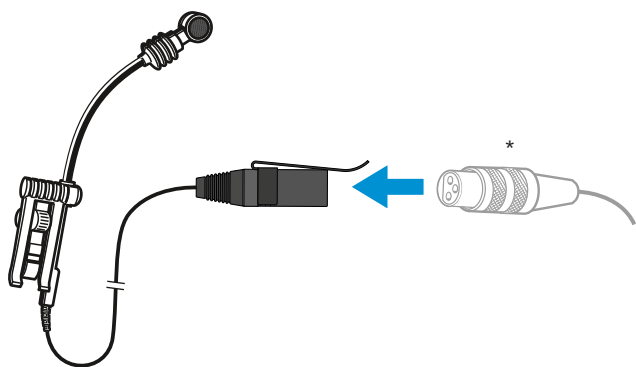
Sennheiser electronic GmbH & Co. KG

Am Labor 1, 30900 Wedemark, Germany  
[www.sennheiser.com](http://www.sennheiser.com)

Printed in Germany  
 Publ. 07/18, 581325/A01

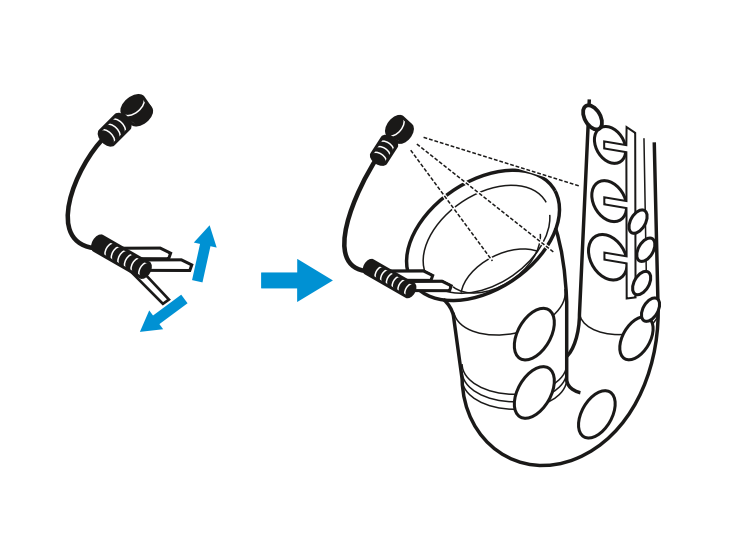
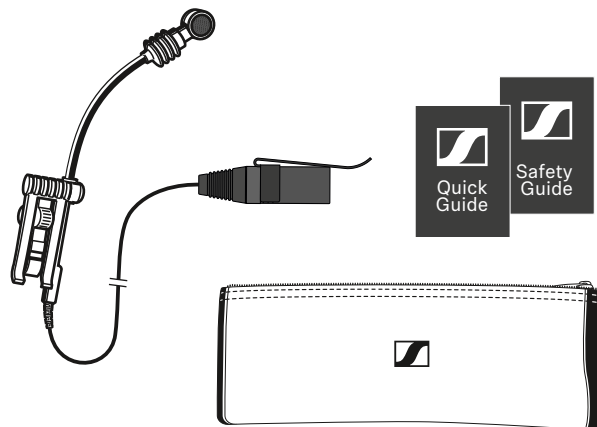
SENNHEISER

Setup

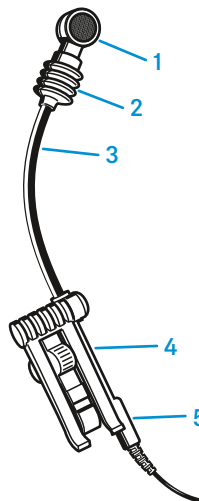


\*XLR-3 cable not included

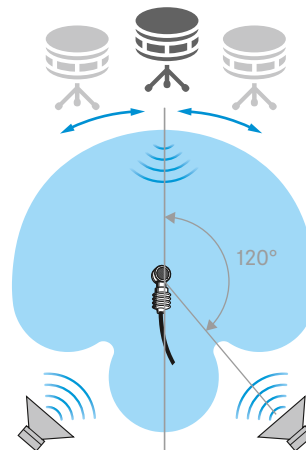
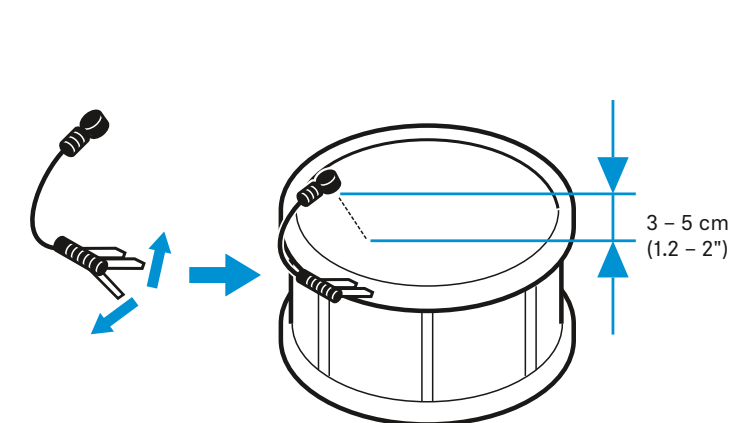
In the box



Overview



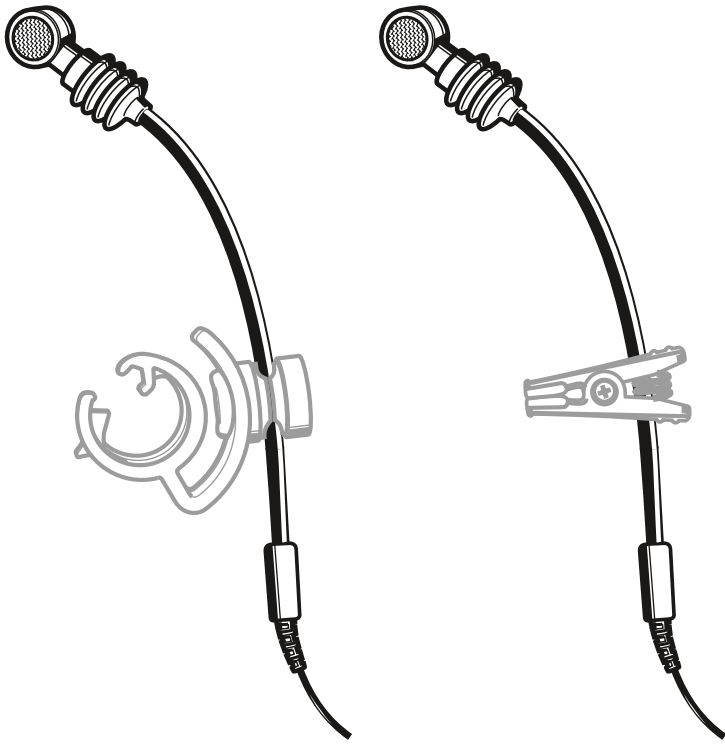
- 1 Microphone head
- 2 Elastic suspension (bellow)
- 3 Gooseneck
- 4 Microphone clamp
- 5 3.5 mm jack plug



# Accessories

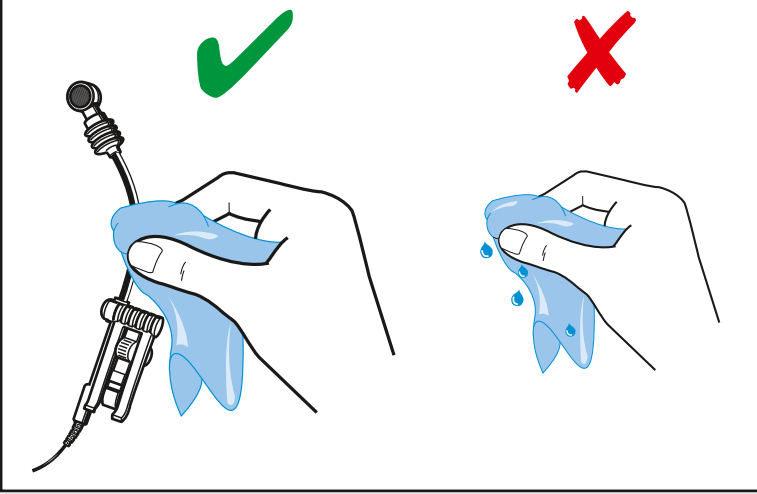
e 608 + MZH 908 D\*

e 608 + MZH 908 B\*



\*not included

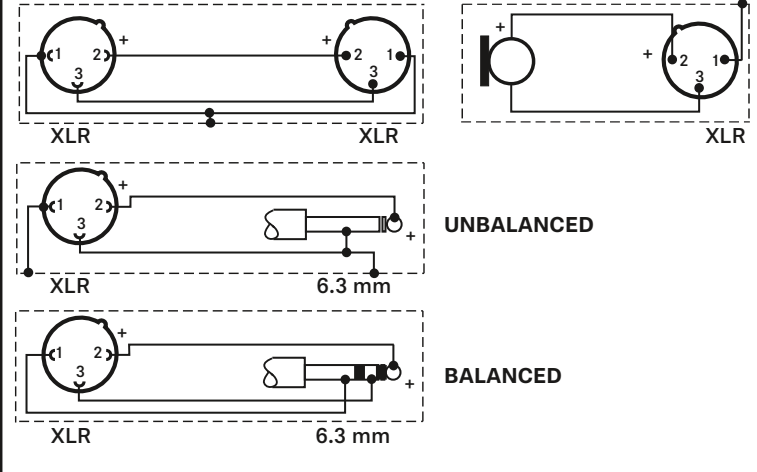
## Cleaning



## Specifications

Transducer principle	dynamic
Frequency response	40 - 16,000 Hz
Pick-up pattern	super-cardioid
Sensitivity (free field, at 1 kHz)	0.8 mV/Pa
Nominal impedance (at 1 kHz)	250 Ω
Min. terminating impedance	1 kΩ
Connector	XLR-3
Temperature range	0 °C to +40 °C
Dimensions	∅ 17 x 185 mm
Weight	20 g

## Connector assignment



## Polar pattern and frequency response

