

**Sennheiser Documentation App**



or online at  
[www.sennheiser.com/download](http://www.sennheiser.com/download)  
 evolution wired\_



**e 906**

Quick Guide  
 Kurzanleitung  
 Guide rapide  
 Guida rapida  
 Guía de inicio rápido  
 Guia rápido  
 Beknopte handleiding  
 Krótka instrukcja obsługi  
 Snabbguide

Kvikstartguide  
 Pikaohje  
 Γρήγορος οδηγός  
 Kısa Kılavuz  
 Краткая инструкция  
 快速指南  
 快速使用指南  
 クイックガイド  
 퀵 가이드

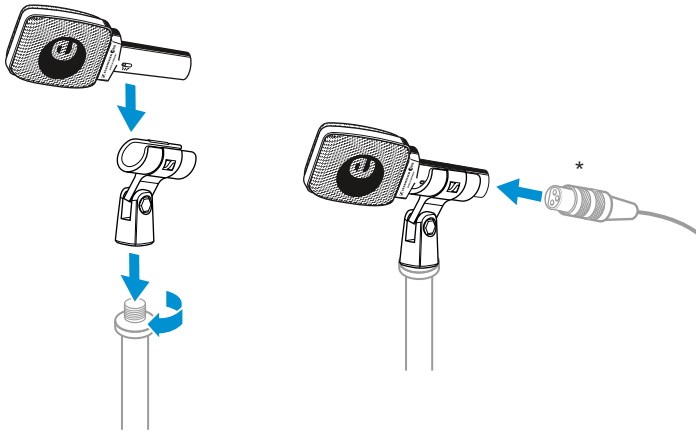
Sennheiser electronic GmbH & Co. KG

Am Labor 1, 30900 Wedemark, Germany  
[www.sennheiser.com](http://www.sennheiser.com)

Printed in Germany  
 Publ. 07/18, 581335/A01

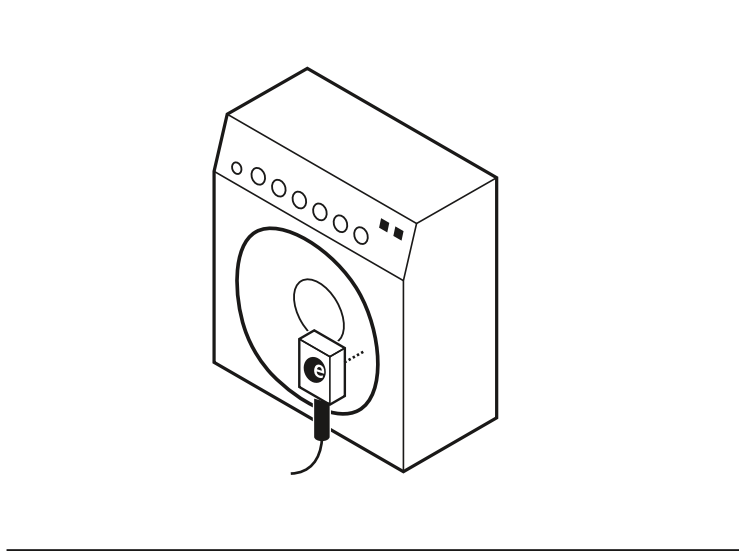
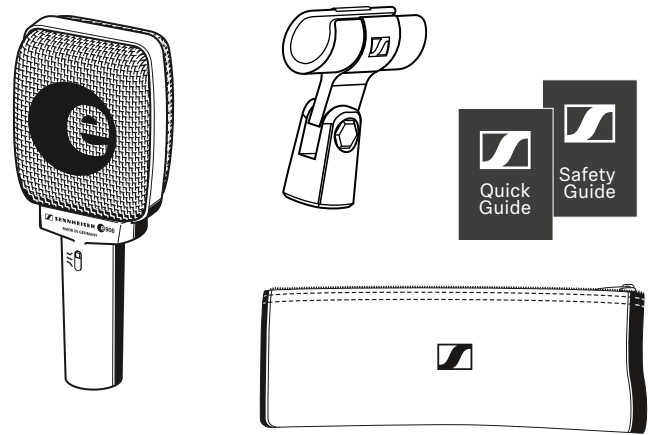
**SENNHEISER**

**Setup**

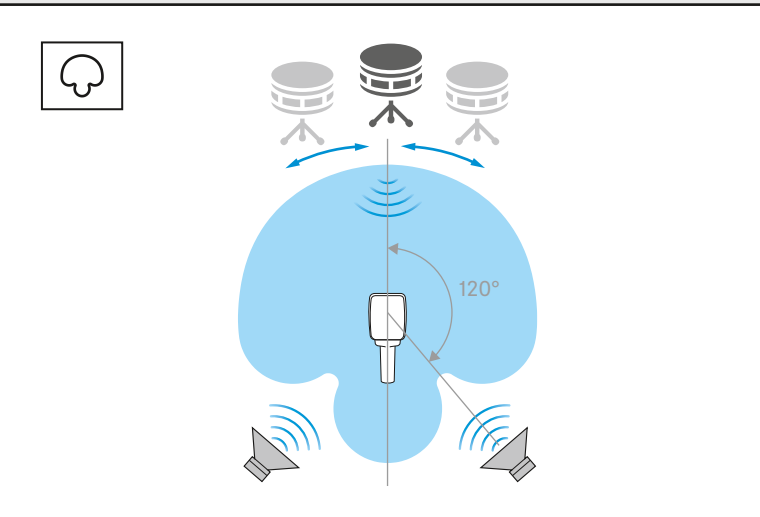
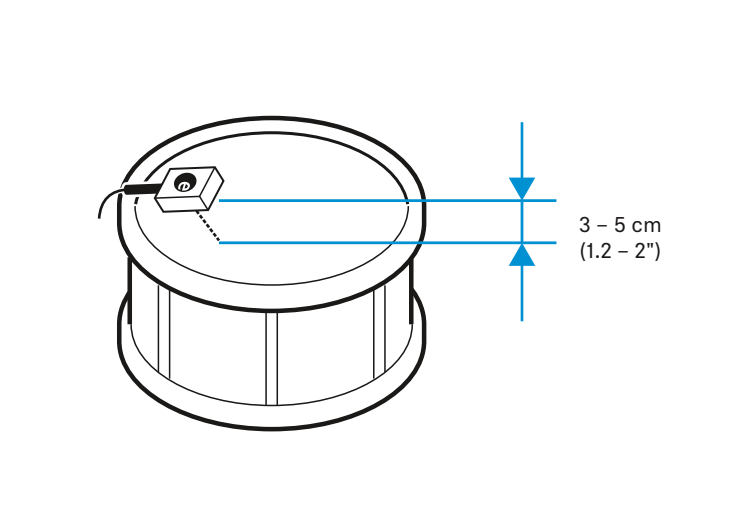
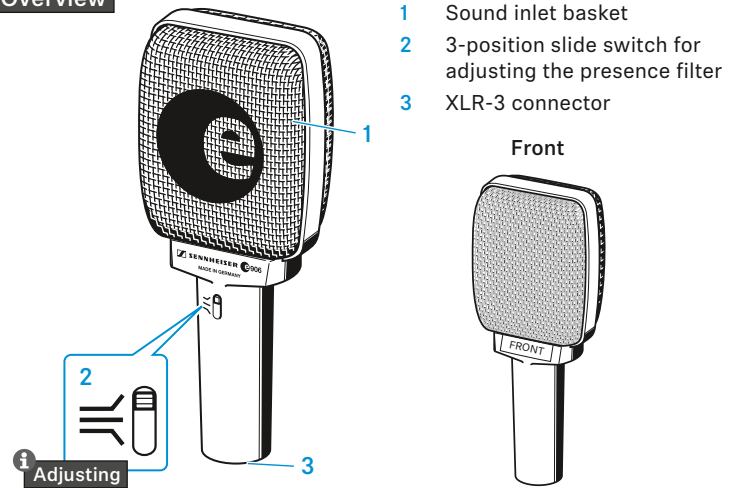


\*XLR-3 cable not included

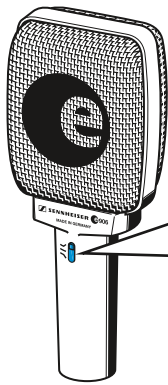
**In the box**



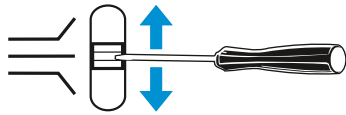
**Overview**



## Adjusting



### sound characteristics



boost presence

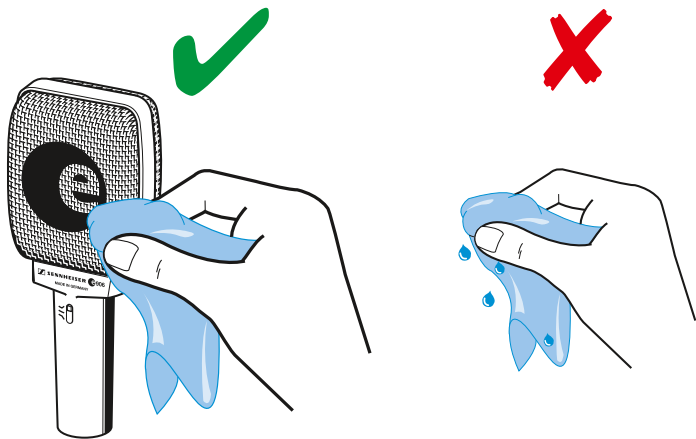


normal presence



attenuate presence

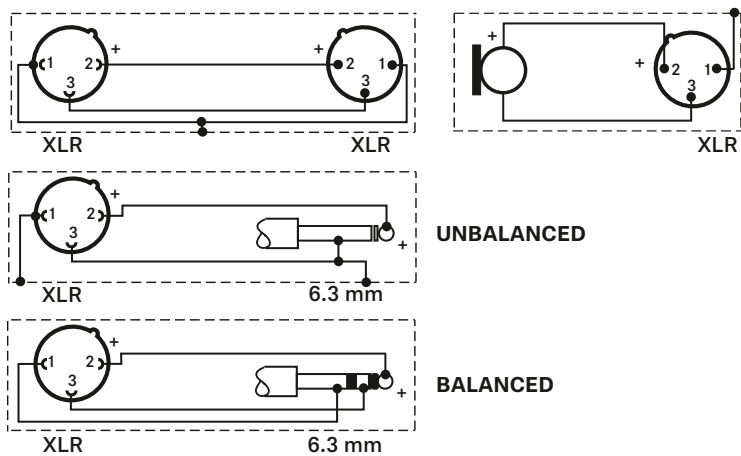
## Cleaning



## Specifications

Transducer principle	dynamic
Frequency response	40 - 18,000 Hz
Pick-up pattern	super-cardioid
Sensitivity (free field, at 1 kHz)	2.2 mV/Pa
Nominal impedance (at 1 kHz)	350 Ω
Min. terminating impedance	1 kΩ
Connector	XLR-3
Dimensions	55 x 34 x 134 mm
Weight	140 g

## Connector assignment



## Polar pattern and frequency response

