

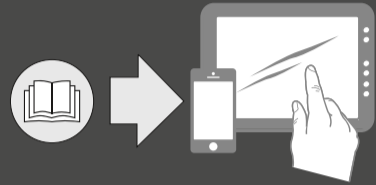


MKH 8020 MKH 8020 Stereoset

Quick Guide
Kurzanleitung
Guide rapide
Guida rapida
Guía de inicio rápido
Guia rápido
Beknopte handleiding
Krátká instrukcja obsługi
Snabbguide

Kort vejledning
Pikaohje
Γρήγορος οδηγός
Kısa Kılavuz
Краткая инструкция
快速指南
快速使用指南
クイックガイド
퀵 가이드

SENNHEISER



Sennheiser Documentation App



ANDROID APP ON
Google play

Available on the
App Store

or online at
www.sennheiser.com/download
MKH 8020_

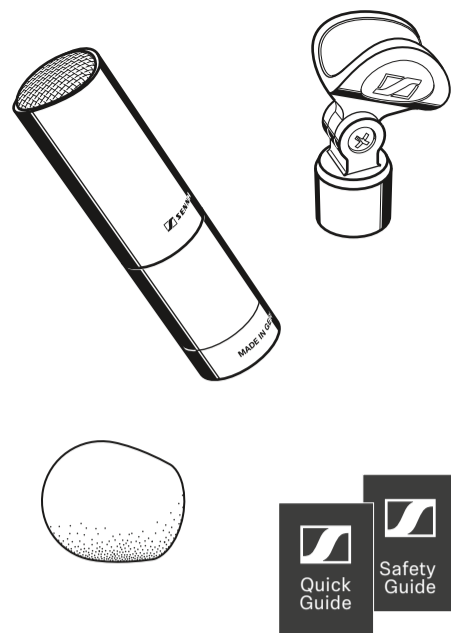
Sennheiser electronic GmbH & Co. KG

Am Labor 1, 30900 Wedemark, Germany
www.sennheiser.com

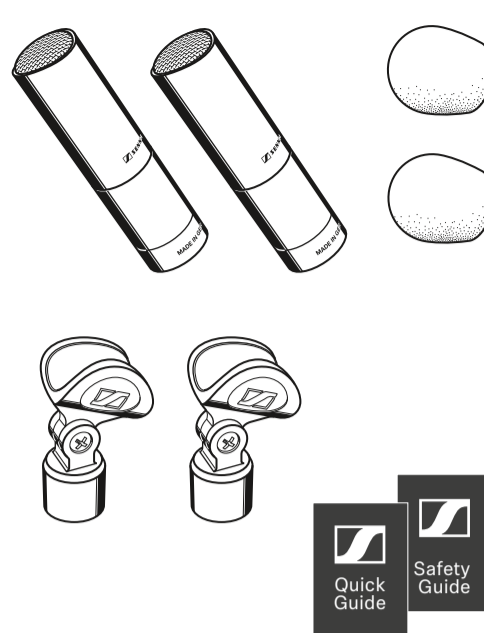
Printed in Germany, Publ. 12/18, 581390/A01

In the box

MKH 8020

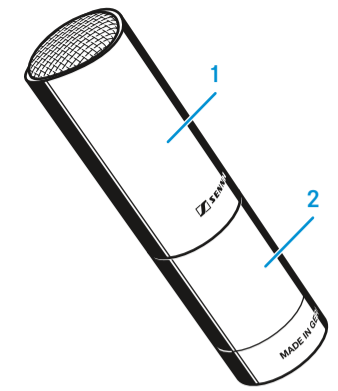


MKH 8020 Stereoset

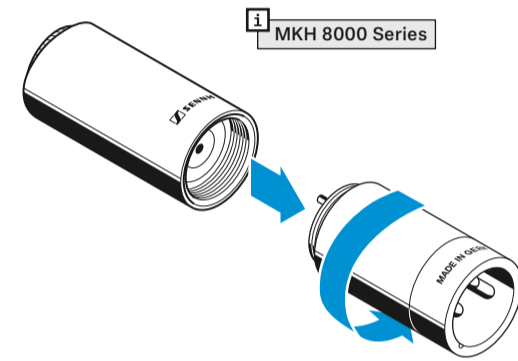
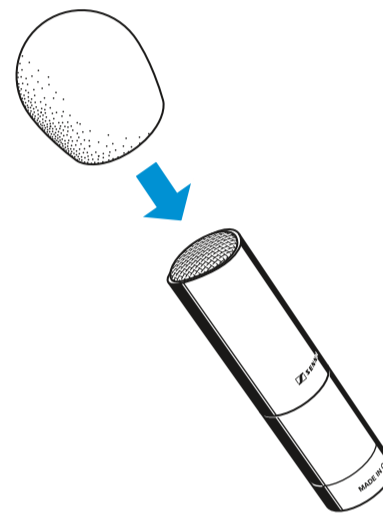
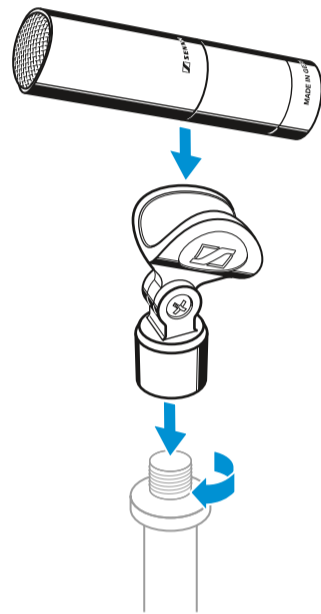


Overview

- 1 Microphone head
- 2 XLR module



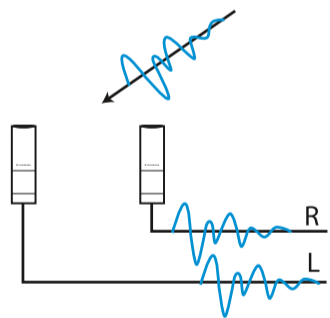
Setup



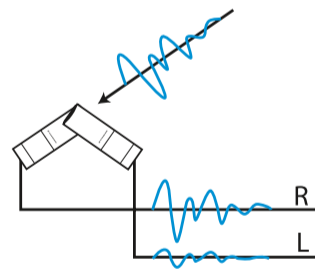
MKH 8000 Series

Stereo recording

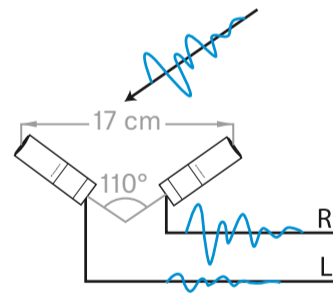
Time-of-arrival stereo (AB):
(almost) only time-of-arrival differences



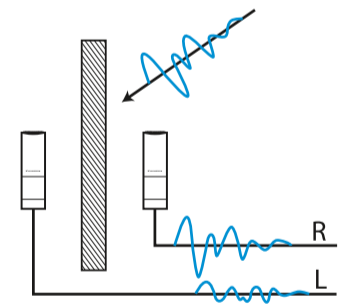
Intensity stereo (XY):
only sound pressure level differences



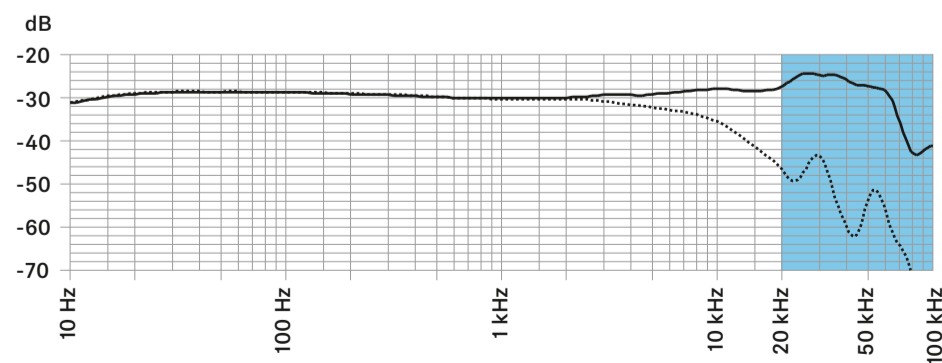
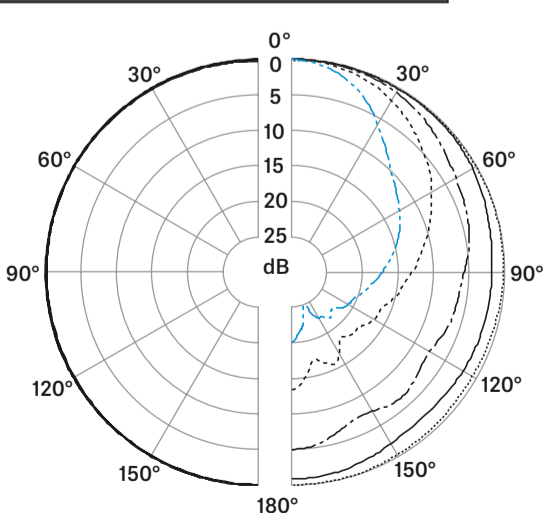
Equivalence or mixed stereo (here: ORTF):
sound pressure level and time-of-arrival differences



Baffle stereo (here: OSS):
sound pressure level, time-of-arrival and spectral differences with off-axis sound



Polar pattern and frequency response




125 Hz ———
250 Hz ———
500 Hz ———
1,000 Hz ———
2,000 Hz
4,000 Hz ———
8,000 Hz - - -
16,000 Hz
32,000 Hz - · - · -

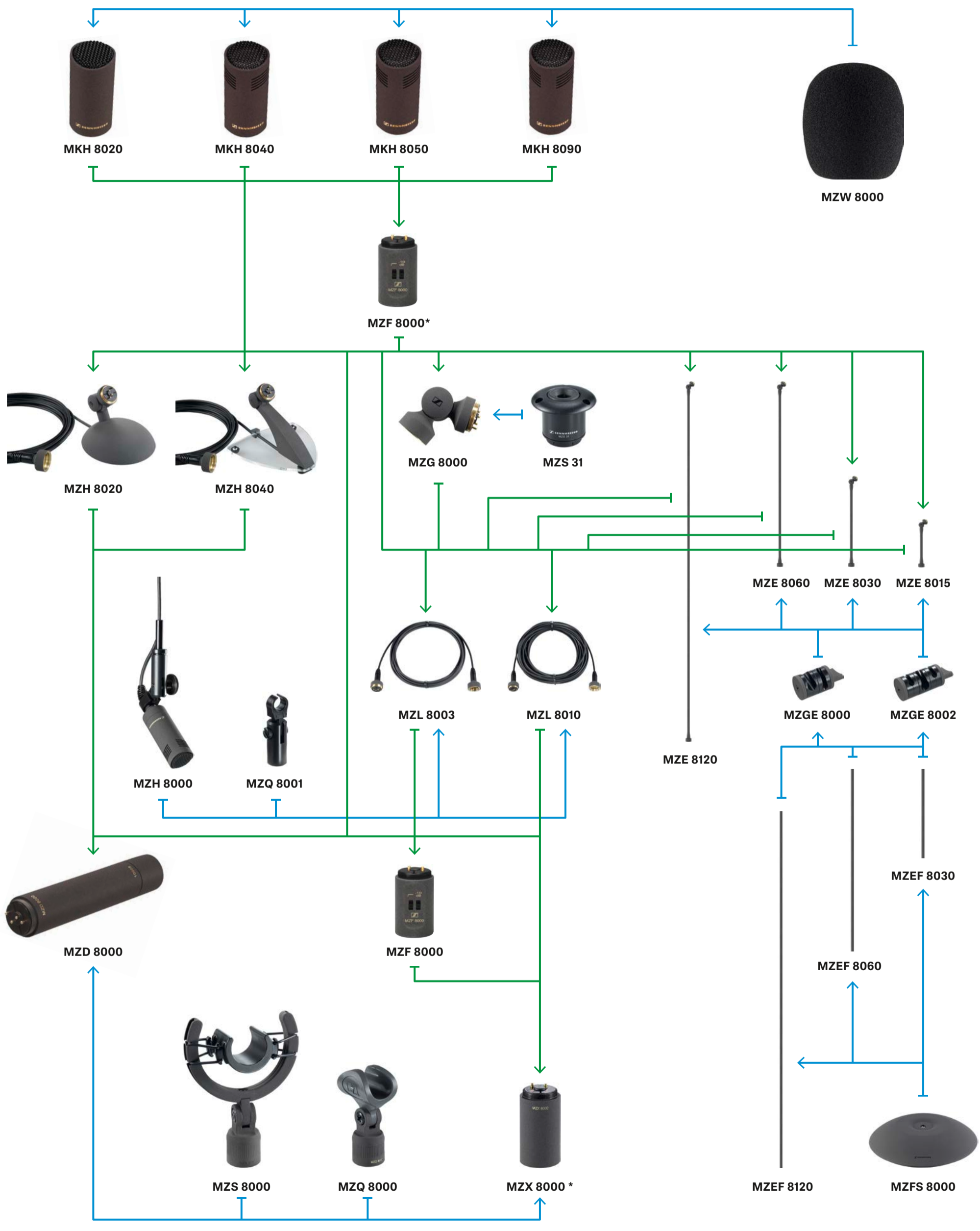
..... 90°
——— 0°

Specifications

Pick-up pattern	omni-directional
Frequency response	10 - 60,000 Hz
Sensitivity	-30 dBV/Pa (31 mV/Pa) with MZF 8000 -40 dBV/Pa (10 mV/Pa)
Max. SPL	138 dB with MZF 8000 133 dB
Equivalent noise level	10 dB(A) (DIN-IE 651) 121 dB (CCIR 268-3)
Phantom powering	48 V ±4 V (P48, IEC 61938)
Current consumption	3.3 mA
Diameter	approx. 19 mm
Length	approx. 41 mm with MZF 8000 approx. 75 mm
Weight	approx. 25 g with MZF 8000 approx. 55 g
Operating temperature	-10 °C to 60 °C

Microphone and accessories overview

audio signal 
mounting accessories 



*Screw filter module MZF 8000 at suitable place between microphone head and XLR module.