



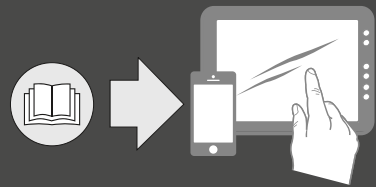
MKH 800 TWIN

Quick Guide
 Kurzanleitung
 Guide de démarrage rapide
 Guida rapida
 Instrucciones resumidas
 Instruções resumidas
 Beknopte gebruiksaanwijzing
 Krótka instrukcja obsługi
 Snabbguide

Kort vejledning
 Pikaohje
 Γρήγορος οδηγός
 Kisa Kilavuz
 Краткая инструкция
 快速指南
 快速使用指南
 クイックガイド
 퀵 가이드



SENNHEISER



Sennheiser Documentation App



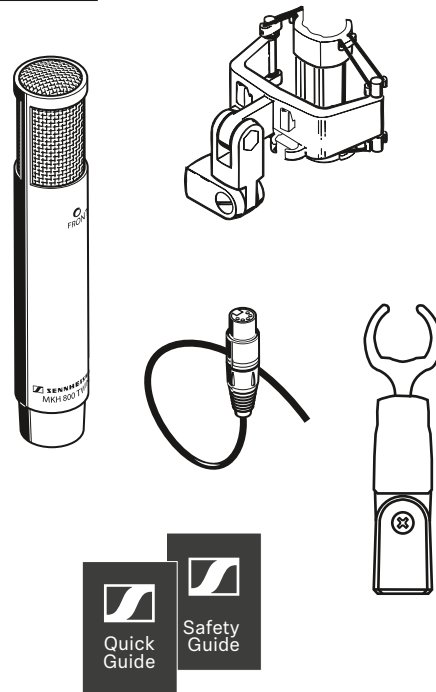
or online at
www.sennheiser.com/download

Sennheiser electronic GmbH & Co. KG

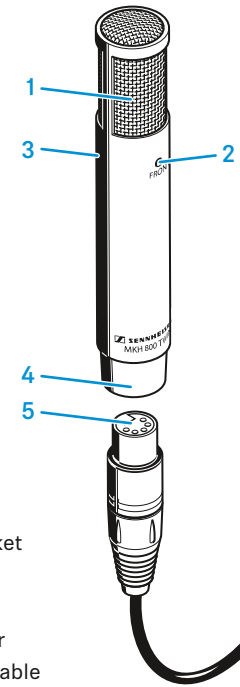
Am Labor 1, 30900 Wedemark, Germany
www.sennheiser.com

Printed in Germany, Publ. 06/19, 583948/A01

In the box

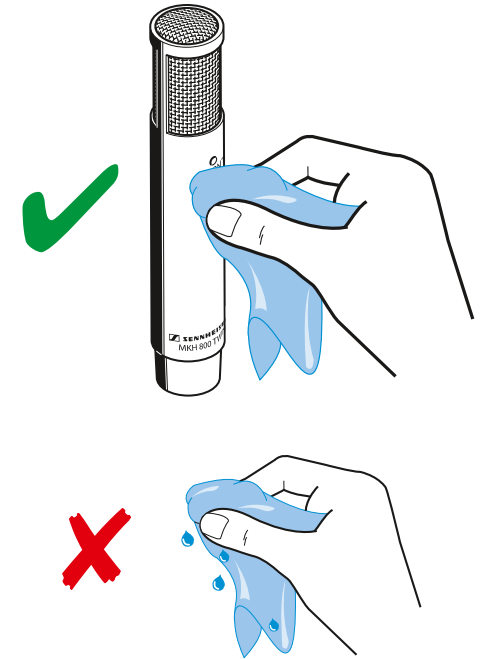


Overview

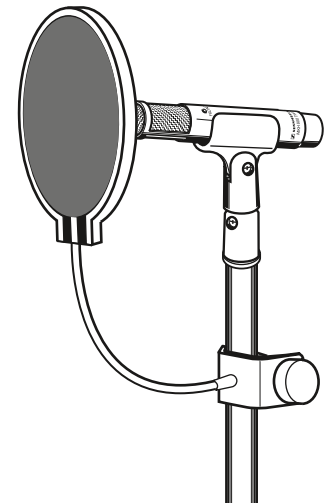
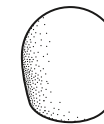
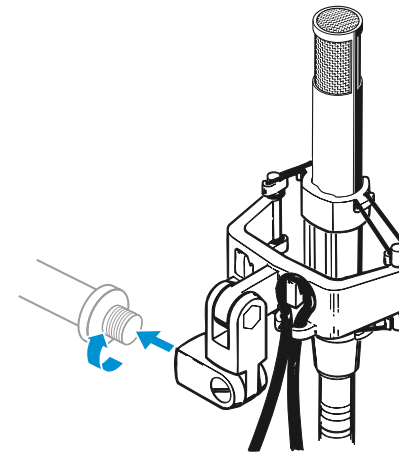
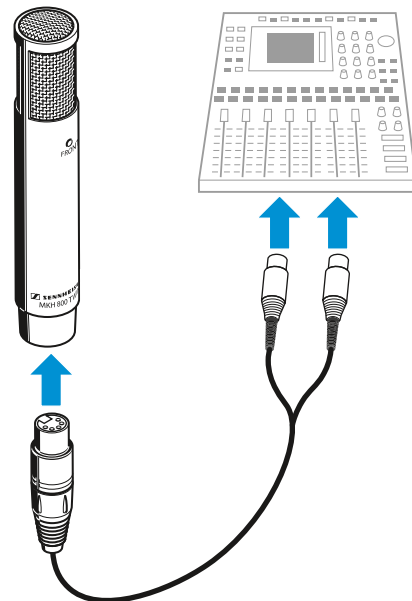


- 1 Sound inlet basket
- 2 LED Front (blue)
- 3 LED Rear (red)
- 4 XLR-5 connector
- 5 AC 20 adaptor cable

Cleaning

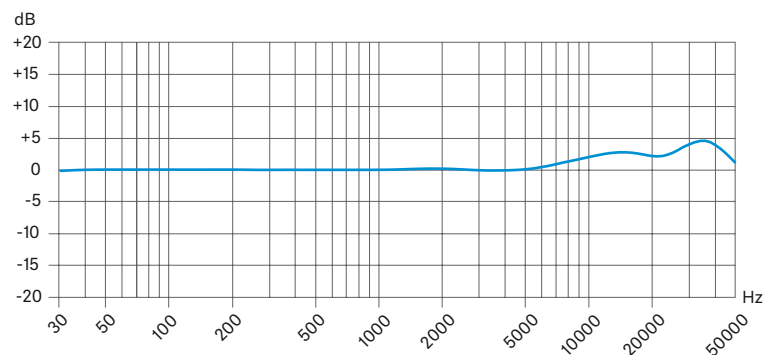
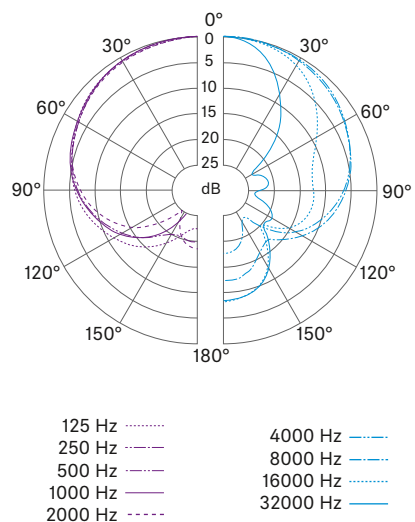


Setup

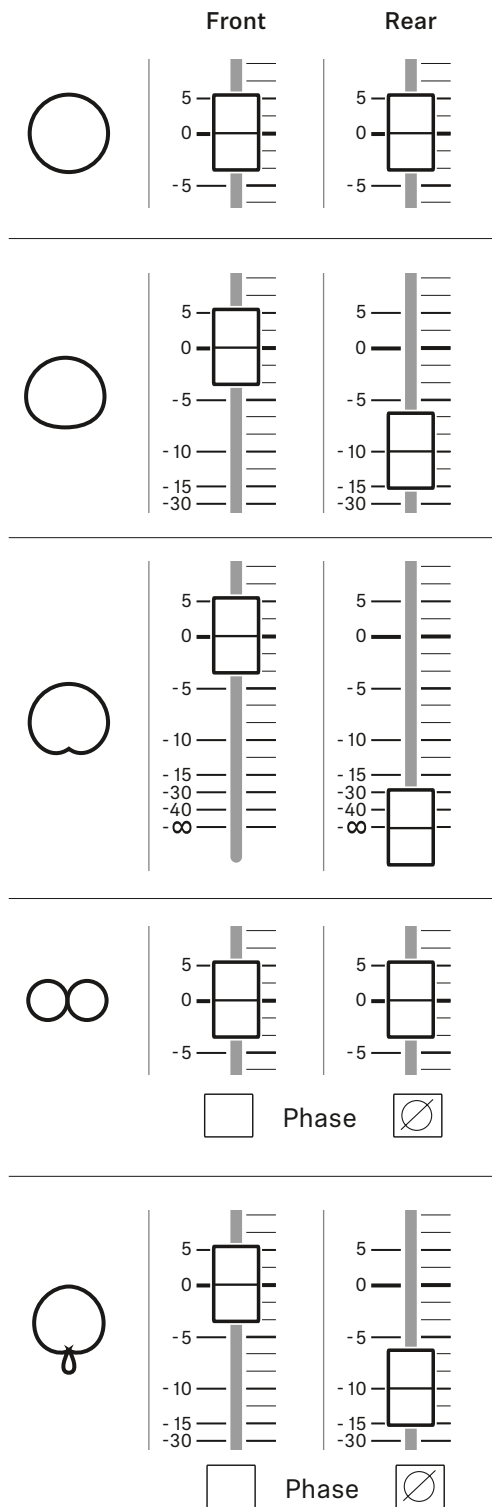


Polar pattern and frequency response

The polar diagrams of both channels only differ in the opposite alignment 0°/180°.



Remote adjustment of the pick-up patterns

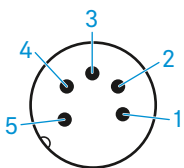


Specifications

Pick-up pattern	2x cardioid
Frequency response	30 – 50,000 Hz
Sensitivity in free field, no load (1kHz)	40 mV/Pa ± 1 dB
Max. SPL	136 dB / 1 kHz
Nominal impedance	100 Ω
Max. output voltage	4 V
Min. terminating impedance	2 kΩ
Equivalent noise level	12 dB(A) (DIN IEC 651) 20 dB (CCIR 468-3)
Noise voltage	3 μV (A-weighted) 8 μV (CCIR-weighted)
Dynamic range	122 dB (A-weighted) 114 dB (CCIR-weighted)
Phantom powering	48 V ± 4 V
Current consumption	2x 3.1 mA
Dimension	∅ 27 x 136 mm
Weight	172 g
Temperature range	storage: -20 °C – +70 °C

Connector XLR-5M

Connector assignment



- 1: Ground/housing
- 2: Front channel: (+)
- 3: Front channel: (-)
- 4: Rear channel: (+)
- 5: Rear channel: (-)