

ADN PS

ADN Power Supply

FEATURES

- Increases system size up to 400 units
- Each ADN PS supports 40 – 70 conference units
- Allows redundant ring or daisy-chain cabling
- Remote power switching from ADN CU1
- Status LEDs indicate cabling type
- Up to 15 ADN PS cascable

ARCHITECT'S SPECIFICATIONS

A power supply designed to allow the expansion of ADN Conferencing System is provided. The power supply shall connect to the system central control unit and remote conferencing units using standard Category 5 cabling, and shall allow the extension of up to 400 conferencing units to the conferencing system. Connection architecture shall allow redundant ring or daisy-chain configurations when connected to the central control unit; use of redundant ring cabling architecture shall provide a fail-safe configuration option using the four conference ports on the power supply. One power supply shall support up to 40 conferencing units using two-ring cabling connection architecture, and shall support up to 70 conferencing units using branch cabling architecture. Status LEDs on the front of the power supply shall indicate the type of cabling architecture. The power supplies shall be cascable up to 15 units. Remote power switching shall be allowable from the central control unit. Mains supply voltage shall be 100 – 240 VAC at 50/60 Hz. Power consumption shall be maximum 385W. Operating temperature shall be +5°C to +50°C; storage temperature shall be -25°C to +70°C. Output voltage on Port I and II (Output 1 and 2) shall be 52.8 VDC; maximum current supplied shall be 1.75A per port, up to a maximum of 5.25A total per power supply.

The cascable ADN PS Power Supply allows the extension of up to 400 conference units to the ADN CU1 central unit. It also increases the failure-safety of the system by allowing redundant ring-cabling on its four conference ports. Up to 40 units can be connected in two rings and up to 70 units in alternative branch cabling. Status LEDs at the front of the 19" rack-mount unit indicate the type of cabling to easily monitor the system.



TECHNICAL DATA

Dimensions:	417 x 100 x 168 mm (without rack-mount brackets and rubber feet)
Weight:	approx. 4600 g
Input voltage:	100 – 240 VAC / 50 – 60 Hz
Power consumption:	max. 385 W
Output voltage on PORT I/II Output 1/2:	52.8 VDC
Output current on PORT I/II Output 1/2:	max. 1.75A per port / max. 5.25A total
Operating temperature:	+5° C to + 50° C
Storage temperature	-25° C to + 70° C

DELIVERY INCLUDES

- | | |
|--------------------|-----------------------|
| 1 ADN Power Supply | 1 Mains-cable |
| 1 Quick-Guide | 1 Safety instructions |

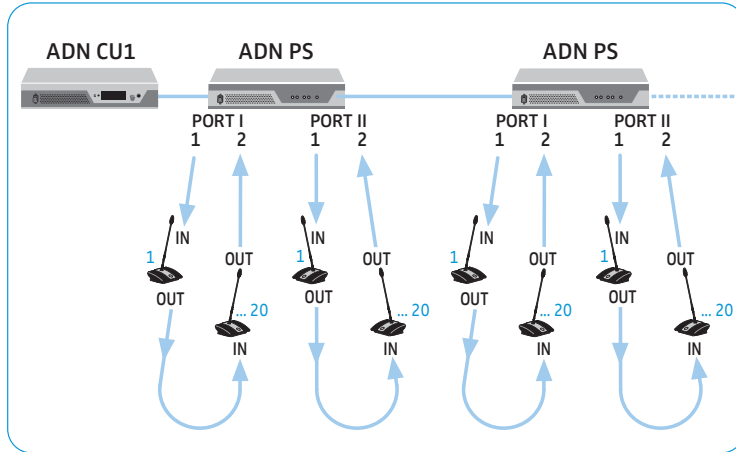
ARCHITECT'S SPECIFICATIONS

The power supply shall be housed in a stand-alone desktop housing; rack mounting shall be accomplished using optional rack mounting brackets. The housing shall measure 16.4" x 3.94" x 6.61" (WxHxD). Weight shall be approximately 10.1 lbs. The power supply shall be manufactured by Sennheiser and shall be type ADN PS.

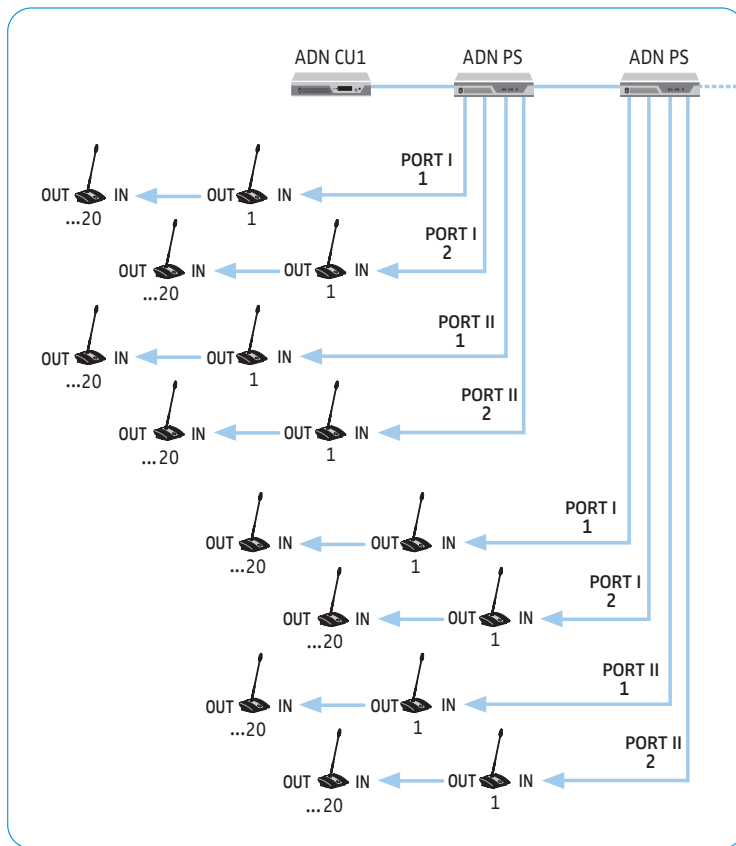
CONNECTIVITY

SAMPLE SYSTEM CONFIGURATIONS

Two redundancy ports

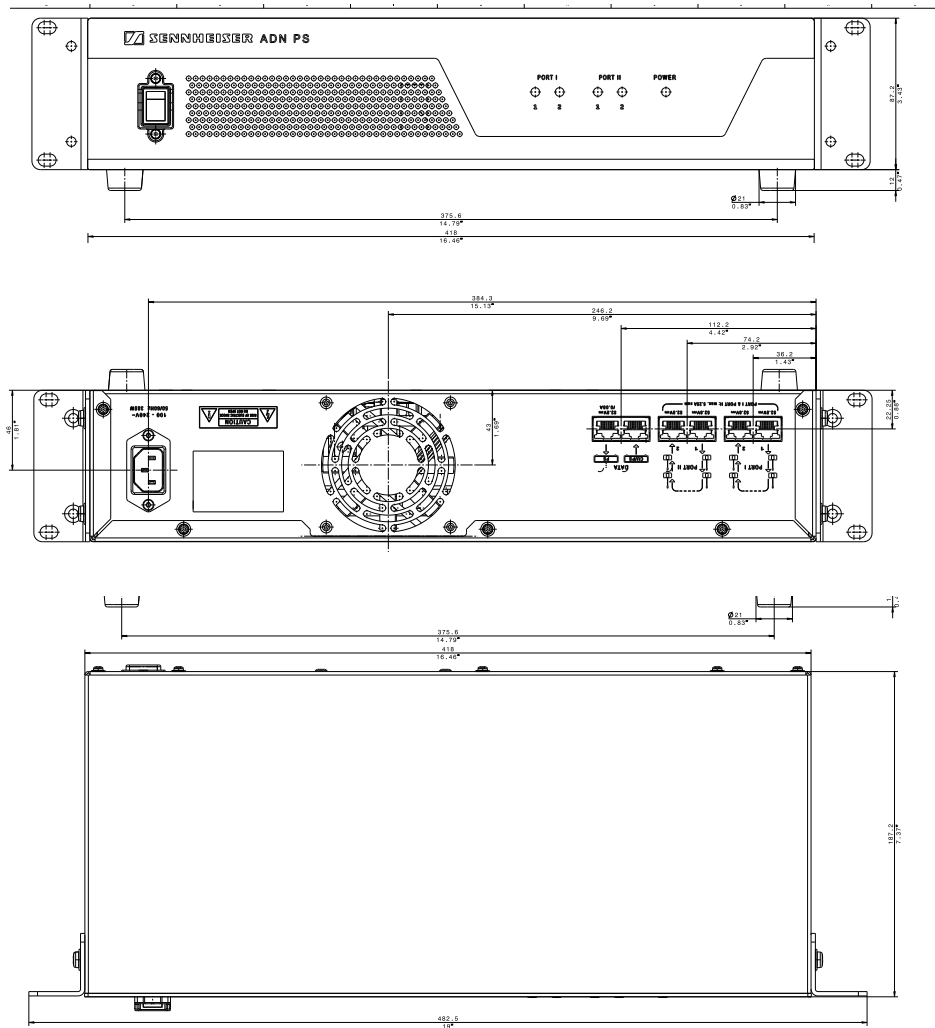


Four daisy-chain ports



ADN PS ADN Power Supply

DIMENSIONS



PRODUCT VARIANTS

505546 ADN PS-EU
 505547 ADN PS-UK
 505548 ADN PS-US

RECOMMENDED ACCESSORIES

ADN CU1-EU central unit
 ADN CU1-UK central unit

Cat.No. 505553
 Cat.No. 505554

ADN CU1-US central unit
 ADN D1 delegate unit
 ADN C1 chairperson unit
 SDC CBL RJ45-2, Cat 5 cable 2m
 SDC CBL RJ45-3, Cat 5 cable 3m
 SDC CBL RJ45-5, Cat 5 cable 5m
 SDC CBL RJ45-10, Cat 5 cable 10m
 SDC CBL RJ45-20, Cat 5 cable 20m
 SDC CBL RJ45-50, Cat 5 cable 50m

Cat.No. 505555
 Cat.No. 502758
 Cat.No. 502759
 Cat.No. 009842
 Cat.No. 009843
 Cat.No. 009844
 Cat.No. 009845
 Cat.No. 009846
 Cat.No. 009847

Sennheiser electronic GmbH & Co. KG
 Am Labor 1, 30900 Wedemark, Germany
www.sennheiser.com