



# SpeechLine Digital Wireless CHG 2 - 2 bay charger

## FEATURES

- Two bay charger for SL DW, ew D1 and AVX
- Universal charging slots for either bodypack or handheld
- External DC adaptor

The CHG 2 charger makes battery management really easy. The mobile transmitters, while not in use, are charged in the two charging bays. Thus, the devices are always ready-to-use when needed. The bi-color LED provides the status (charging or fully charged). For seamless installation, the external power supply provides the necessary flexibility.




## DELIVERY INCLUDES

- CHG 2
- External power supply (EU, UK, US or AU version)
- Quick Guide
- Safety Guide

## PRODUCT VARIANTS

CHG 2 EU	Art. No. 505980
CHG 2 UK	Art. No. 506218
CHG 2 US	Art. No. 506219
CHG 2 AU	Art. No. 506220

## SPECIFICATIONS

Input voltage	12 V $\overline{\overline{=}}$
Input current	max. 1100 mA
DC connection	+ 
Charging voltage	5 V $\overline{\overline{=}}$
Charging current	max. 2 x 1000 mA
Compatible accupacks	Sennheiser BA 10, BA 30
Charging time for full charge at 20 °C	100 % = approx. 160 min = green
Temperature range	Operation: 0 °C to 45 °C (32 °F to 113 °F) Storage: -20 °C to 70 °C (-4 °F to 158 °F)
Relative air humidity, non-condensing	Operation: 25 % to 95 % Storage: 5 % to 95 %
IP protection class according to IEC/EN 60529	IP2X
Dimensions (W x D x H)	175 mm x 135 mm x 93 mm (6.89" x 5.31" x 3.66")
Weight (without power supply unit)	approx. 375 g (13.23 oz)

## ARCHITECT'S SPECIFICATION

The charger shall be capable of simultaneously charging up to two handheld and/or bodypack transmitters of the Sennheiser SL DW, ew D1 or AVX series. A bi-color LED at each charging bay shall indicate charge status.

The charger shall operate on 12 V DC input voltage supplied from an external power supply unit, the input current shall be maximum 1.100 mA. Charging voltage shall be 5 V DC, charging current shall be maximum 1.000 mA per charging bay.

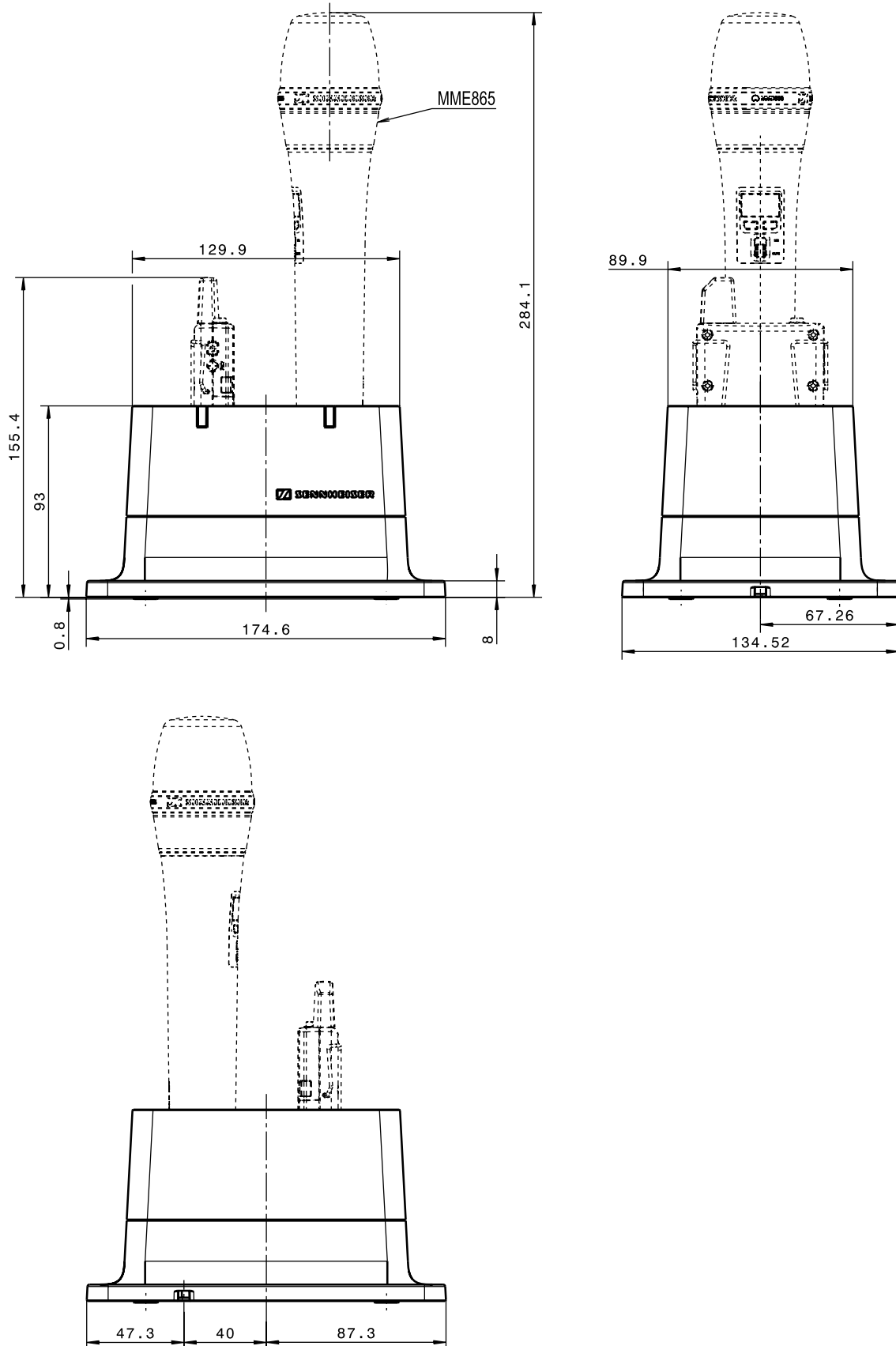
Charging time for full charge at 20 °C (- 4 °F) shall be below 3 hours. Operating temperature shall range from 0 °C to 45 °C (32 °F to 113 °F). The charger dimensions shall be 175 x 135 x 93 mm (6.89" x 5.31" x 3.66"). Weight (un-equipped and without power supply unit) shall be approximately 375 grams (13.23 oz).

The charger shall be the Sennheiser CHG 2.



# SpeechLine Digital Wireless CHG 2 - 2 bay charger

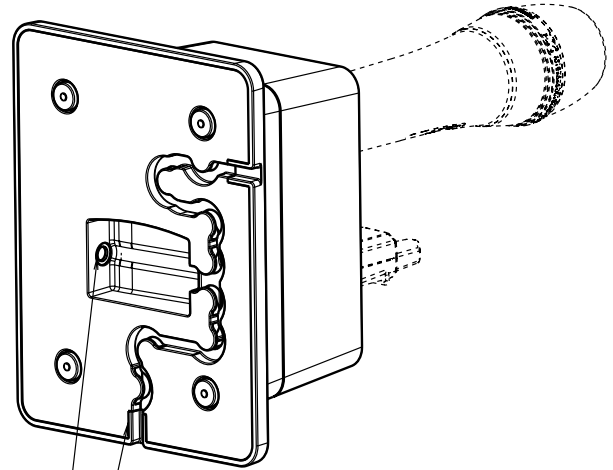
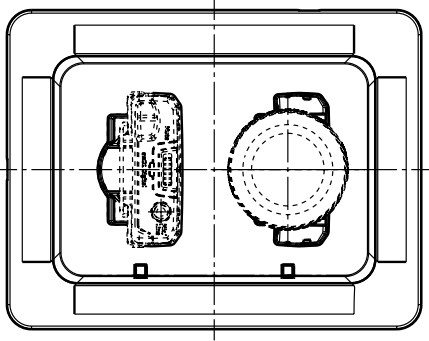
## DIMENSIONS





# SpeechLine Digital Wireless CHG 2 - 2 bay charger

## DIMENSIONS



DC Power Jack

Cable Channel (strain relief)