



XSW-D Portable Lav Mobile Kit

XSW-D Portable Lavalier Set with Smartphone Clamp & Manfrotto PIXI Mini Tripod



XSW-D PORTABLE LAV MOBILE KIT Art. no. 509259

XSW-D Portable Lavalier Set

One-touch ease-of-use wireless audio set that utilizes a digital transmission to seamlessly link audio sources. Equipped with an ME 2-II lavalier microphone, this elegant solution makes capturing dialogue on a DSLR easier than ever before while maintaining a reliable connection.

Smartphone Clamp

Made of solid aluminium and provides soft rubber grips for a secure hold for nearly all mobile phones. Includes an adjustable 180-degree locking dial to align a preferred aspect ratio in portrait or landscape.

Manfrotto PIXI Mini Tripod

A durably constructed, lightweight mini tripod with ball head and push-button locking mechanism for flexible positioning and a firm grip. The rubber feet provide a non-slip grip on most surfaces and the extendable legs allow comfortable handheld vlogging with added stability.

FEATURES

- Mobile Kit for vloggers and content creators on the move
- XSW-D Portable Lavalier Set including a complete digital wireless lavalier system
- Smartphone Clamp with cold shoe mount for portrait or landscape orientation
- Manfrotto PIXI Mini Tripod with adjustable locking ball for flexible positioning and control
- Durably constructed components that are built to last

DELIVERY INCLUDES

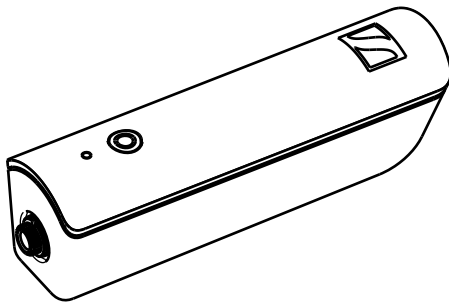
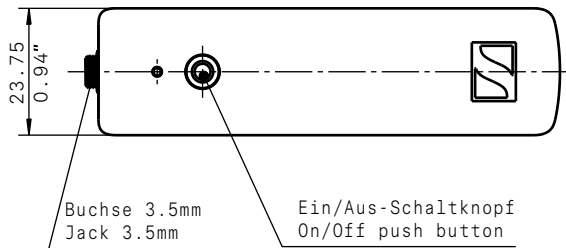
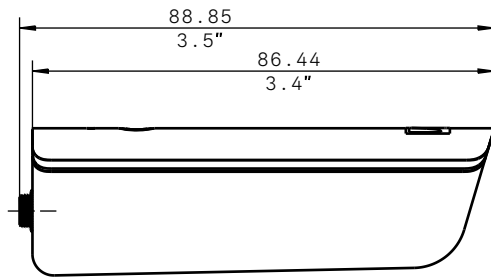
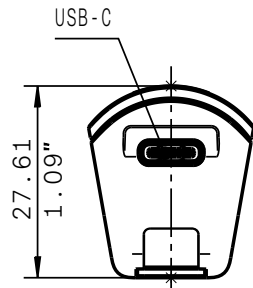
- XSW-D 3.5 mm (1/8") transmitter
- XSW-D 3.5 mm (1/8") receiver
- ME 2-II clip-on lavalier mic
- Cold Shoe mount
- Belt clip
- USB-A to USB-C charging cable
- Manfrotto PIXI Mini Tripod
- Sennheiser Smartphone Clamp
- Locking 3.5 mm TRS to TRS coiled cable
- Locking 3.5 mm TRS to TRRS coiled cable



XSW-D Portable Lav Mobile Kit

XSW-D Portable Lavalier Set with Smartphone Clamp & Manfrotto PIXI Mini Tripod

DIMENSIONS



SPECIFICATIONS

XSW-D MINI JACK TX | XSW-D MINI JACK RX

USB-C Charging Interface:

Input voltage	typ. 5.0 V
Charging temperature	0 °C - 60 °C (32 °F - 140 °F)
Charging time	typ. 3 h

Battery Pack:

Cell type	Li-Ion
Nominal voltage	3.7 V
Cell capacity	850 mAh
Operating time	up to 5 h

AF Characteristics:

Codec	aptX® Live
Audio frequency response	3.5 mm Jack/XLR: 80 - 18,000 Hz 6.3 mm Jack: 10 - 18,000 Hz
Audio output	max. 12 dBu
Signal-to-noise ratio	≥ 106 dB
THD	< 0.1 %
Audio latency	< 4 ms

Product Properties:

Dimensions

XSW-D MINI JACK TX	approx. 86 x 24 x 28 mm
XSW-D MINI JACK RX	approx. 86 x 24 x 28 mm

Weight

XSW-D MINI JACK TX	approx. 73 g
XSW-D MINI JACK RX	approx. 73 g
Frequency range	2,400 - 2,483.5MHz
Transmission power (EIRP)	max. 10 mW
Modulation	GFSK with TDMA

Environmental Conditions:

Operating temperature	-10 °C to +55 °C (14 °F to 131 °F)
Relative humidity	95 % (non-condensing)

ACCESSORIES

Locking 3.5 mm TRS to USB-C cable

Art. no. 509262



XSW-D Portable Lav Mobile Kit

XSW-D Portable Lavalier Set with Smartphone Clamp & Manfrotto PIXI Mini Tripod

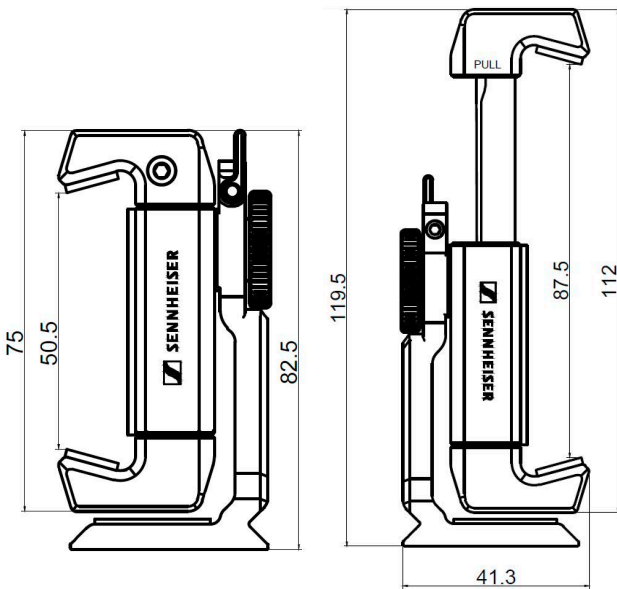
SPECIFICATIONS

ME 2-II



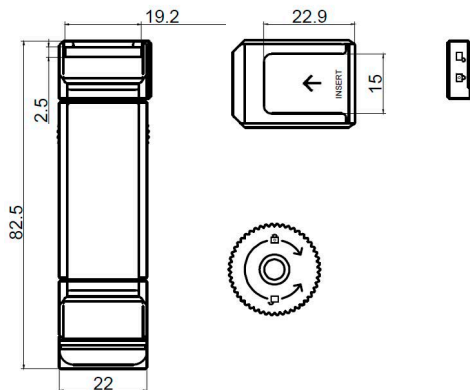
Transducer principle	pre-polarized condenser
Frequency response	50 to 18,000 Hz
Pick-up pattern	super cardioid
Sensitivity at 1 kHz (free field)	20 mV/Pa
Max. SPL at 1 kHz	130 dB SPL
Equivalent noise level A-weighted (DIN IEC 651)	36 dB
Connector	3.5 mm jack
Cable length	approx. 1.60 m
Supply voltage	7.5 V

DIMENSIONS



Smartphone Clamp

Weight	0.24 lbs / 109 g
Panoramic rotation	360°
Min. clip size	2.2 in / 56 mm
Max. clip size	3.5 in / 89 mm
Mounting interface (top)	Cold Shoe
Mounting interfaces (back)	4 x 1/4"
Mounting interfaces (bottom)	1 x 1/4" 1 x 3/8" Arca Swiss
Material	aluminum, Stainless steel
Compatibility (Smartphones)	all smartphones with max width of 3.5 in / 89 mm
Compatibility	all products with cold shoe adapter

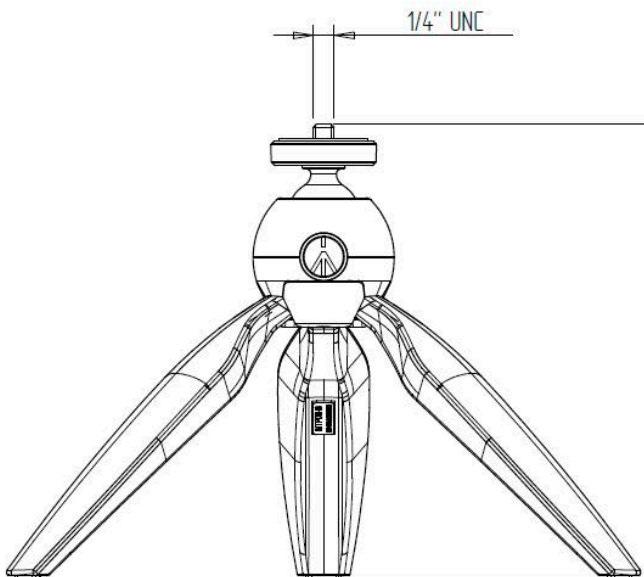
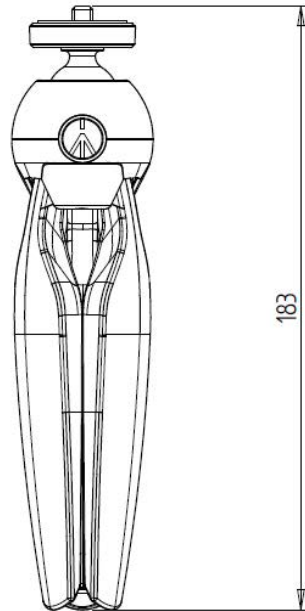




XSW-D Portable Lav Mobile Kit

XSW-D Portable Lavalier Set with Smartphone Clamp & Manfrotto PIXI Mini Tripod

DIMENSIONS



SPECIFICATIONS

Manfrotto PIXI Mini Tripod

Product Properties:

Weight	0.42 lbs / 190 g
Closed length	7.20 in / 183 mm
Max. height	5.31 in / 135 mm
Min. height	5.31 in / 135 mm
Front tilt	-35° / +35°
Lateral tilt	-35° / +35°
Leg angles	45°

Environmental Conditions:

Material	aluminum, technopolymer
Max. working temperature	140 °F / 60 °C
Min. working temperature	-22 °F / -30 °C

Ball Head

Plate type	fixed - with 1/4"
Panoramic rotation	360°
Safety payload weight	2.2 lbs / 1 kg
Ball locking	Yes
Mounting interface (top)	1/4"
Max. body weight	1.4 lbs / 650 g
Max. focal length	3.4 in / 85 mm