

# ADN CU1 Discussion central unit

## FEATURES

- Supplies up to 40 and controls up to 400 discussion units
- USB Conference recording
- Graphical user menu in 13 languages
- Electronically balanced XLR In- and Output
- Open Media Control Protocol over Ethernet (compatible to Crestron and other brands)
- Permanent malfunction monitoring and error diagnostics
- Low-noise fan for in-room use
- Integrated PC with pre-installed control software

## ARCHITECT'S SPECIFICATIONS

A central control unit with integrated PC, control software package and digital processor is the hub of a digital discussion system. The central control unit shall supply 52.8 VDC power and control data through a proprietary ADN network bus for controlling up to 40 discussion units. The integrated control software shall be controlled using the intuitive front panel display using multifunction control keys. Alternatively, the software can be accessed by connecting a standard VGA monitor, keyboard and mouse. The integrated software shall provide support in 13 languages and allow fault monitoring and error diagnostics and full control over all delegate stations and the audio and conference parameters including equalization, feedback suppression, microphone limiting, and conference modes. An Ethernet port shall be provided for network connection and control through third party digital control systems (Crestron, AMX, etc.). USB recording capability shall be provided for the conferencing program audio.

Continued on page 2

The digital discussion central unit **ADN CU1** powers up to 40 and controls up to 400 connected delegate and chairperson units. It offers full configuration in a quick and easy way over the menu display in several languages. Alternatively the integrated software package 'Conference Manager' can be used directly on the CU1 by connecting a Screen, Mouse and Keyboard. The intuitive workflow of the conference manager allows a fluent monitoring and control of the conference. With its low-noise fan the central unit can be used directly in the meeting without disturbing it.



## TECHNICAL DATA

|                                 |                                              |
|---------------------------------|----------------------------------------------|
| Operating voltage.....          | 52,8 VDC (ADN Bus)                           |
| Frequency response .....        | 100 – 14.000 Hz                              |
| Total harmonic distortion ..... | < 0,01% A-weighted at<br>+6 dBV IN, OUT      |
| Power consumption .....         | 245 W                                        |
| Input voltage range .....       | -18 dBu to + 18 dBu (XLR IN)                 |
| Output level .....              | max. +10dBV                                  |
| Signal-to-noise ratio .....     | > 80 dB A-weighted at +18 dBV                |
| Operating temperature .....     | +5°C to +50°C                                |
| Dimensions (WxHxD).....         | 417 x 100 x 345 mm<br>16,4" x 3,94" x 13,58" |
| Weight .....                    | approx. 6500 g / 14,3 lbs                    |

### DELIVERY INCLUDES

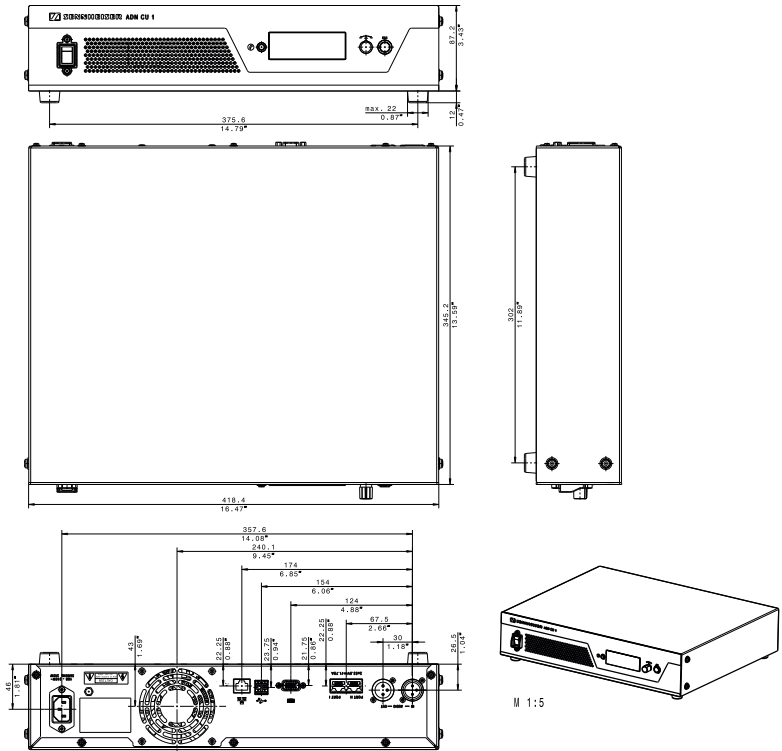
- ADN CU1 discussion central unit
- Quick-Guide
- Safety instructions
- System DVD
- Mains cable

## ADN CU1 discussion central unit

### ARCHITECT'S SPECIFICATIONS

A full system diagnostics check is executed upon application of power to the unit. The remote delegate discussion units connected to the central control unit shall be hot-swappable during a conference. Addressing of the delegate discussion units shall be done automatically by order of cabling; alternatively the addresses shall be assignable manually in the conference manager software. Audio input and output ports are provided as electronically balanced XLR connections. Audio frequency response shall be 100Hz to 14kHz. Input voltage range shall be -18dBu to +18dBu (XLR In). Maximum output level shall be +10dBV with a signal-to-noise ratio of greater than 80dB A-weighted at +18dBV. Total harmonic distortion shall be less than 0.01% A-weighted at +6dBV In and Out. Power consumption shall be 245W; operating temperature shall be +5°C to +50°C. The central control unit shall be housed in a stand-alone desktop housing; rack mounting shall be accomplished using optional rack mounting brackets. The housing shall measure 16.4" x 3.94" x 13.58" (WxHxD). Weight shall be 14.3 lbs. The central control unit shall be manufactured by Sennheiser and shall be type ADN CU1.

### DIMENSIONS



### PRODUCT VARIANTS

505553 ADN CU1-EU central unit  
 505554 ADN CU1-UK central unit  
 505555 ADN CU1-US central unit

### RECOMMENDED ACCESSORIES

ADN RMB-2, rackmount brackets Cat.No. 504031  
 ADN TR1, ADN strain relief Cat.No. 504001  
 SDC CBL RJ45-2, Cat 5 cable 2m Cat.No. 009842  
 SDC CBL RJ45-3, Cat 5 cable 3m Cat.No. 009843

SDC CBL RJ45-5, Cat 5 cable 5m Cat.No. 009844  
 SDC CBL RJ45-10, Cat 5 cable 10m Cat.No. 009845  
 SDC CBL RJ45-20, Cat 5 cable 20m Cat.No. 009846  
 SDC CBL RJ45-50, Cat 5 cable 50m Cat.No. 009847  
 ADN D1 Delegate unit Cat.No. 502758  
 ADN C1 Chairperson unit Cat.No. 502759  
 ADN PS-EU Cat.No. 505546  
 ADN PS-UK Cat.No. 505547  
 ADN PS-US Cat.No. 505548

Sennheiser electronic GmbH & Co. KG  
 Am Labor 1, 30900 Wedemark, Germany  
[www.sennheiser.com](http://www.sennheiser.com)