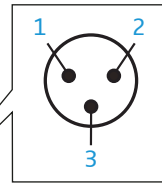
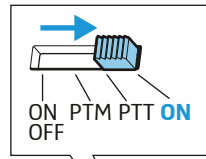
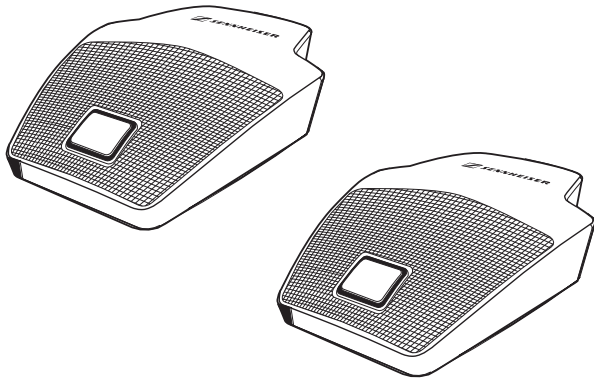
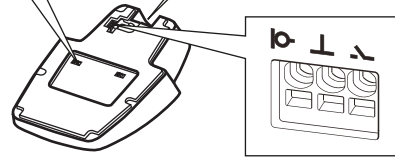


# 2 x MEB 114-S

# SpeechLine Wired Connection Guide

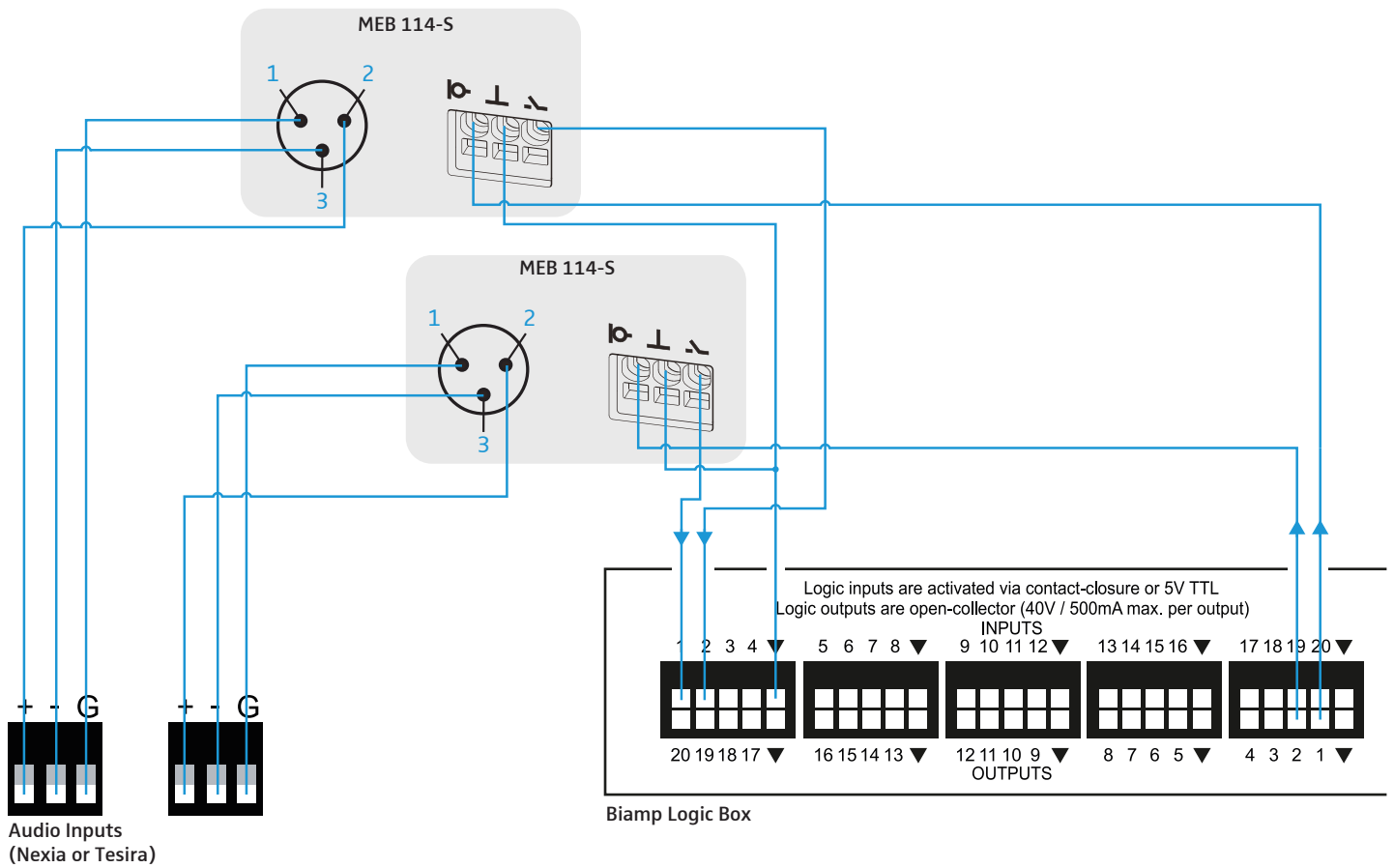


- 1 ground
- 2 microphone +
- 3 microphone -



- ⊐ logic in
- ⊥ ground
- ⌋ logic out

## Biamp Nexia / Tesira



Sennheiser electronic GmbH & Co. KG

Am Labor 1, 30900 Wedemark, Germany  
 www.sennheiser.com

TI 1022 v1.0