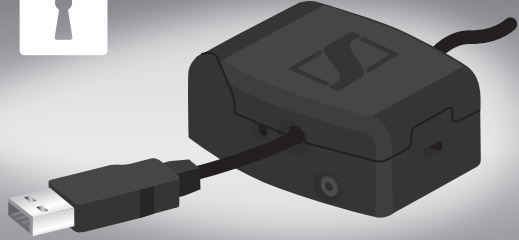
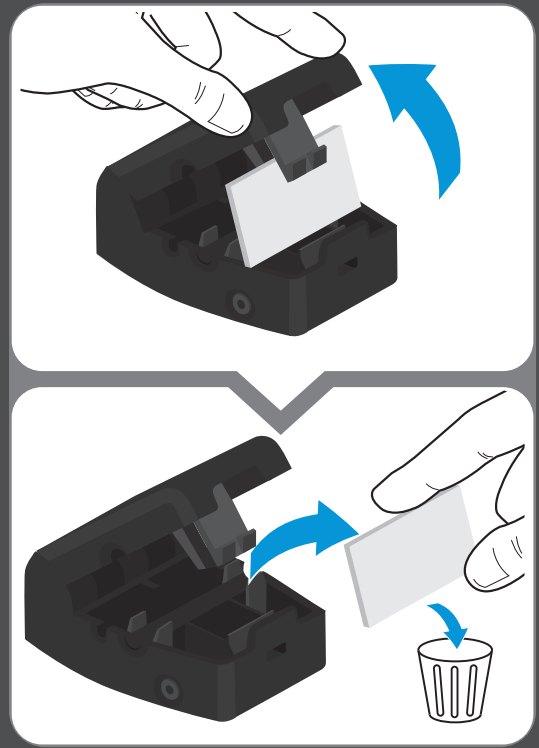


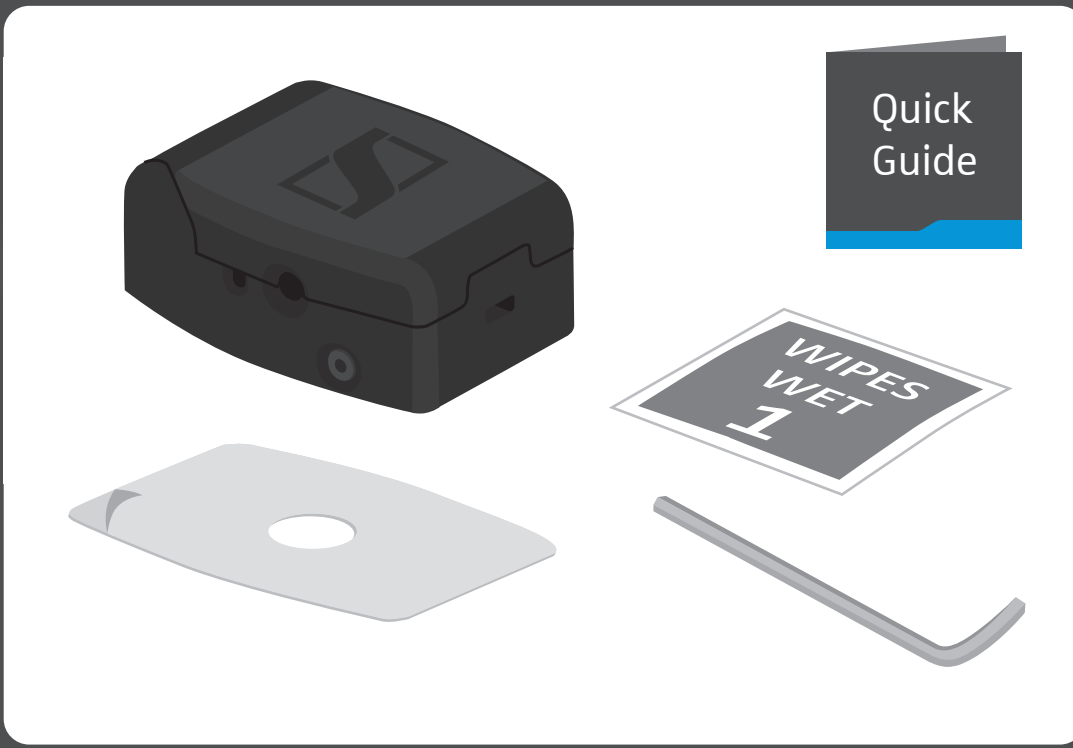
Sennheiser Security Cable Lock



Quick Guide



- Quick Guide
- Kort vejledning
- Kurzanleitung
- Instrucciones resumidas
- Guide rapide
- Istruzioni brevi
- Beknopte gebruiksaanwijzing
- Krótko instrukcja obsługi
- Instruções resumidas
- Kısa Kılavuz
- 簡要説明
- 入門簡介
- クイックガイド
- Краткая инструкция
- 요약 설명서

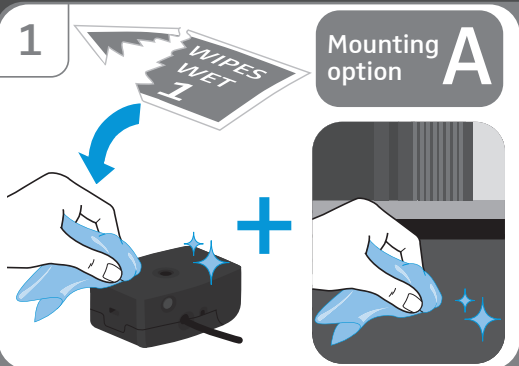
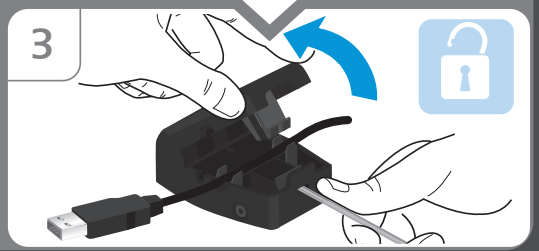
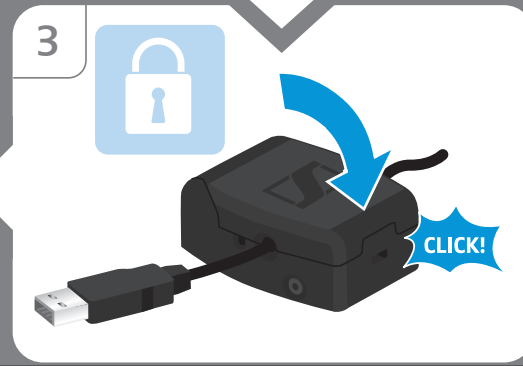
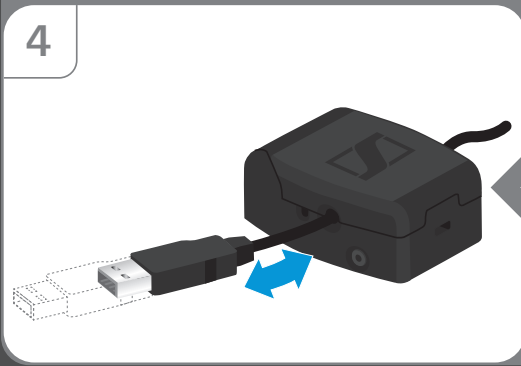
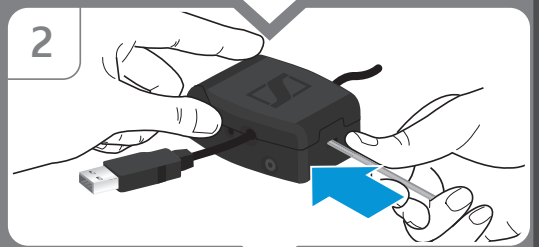
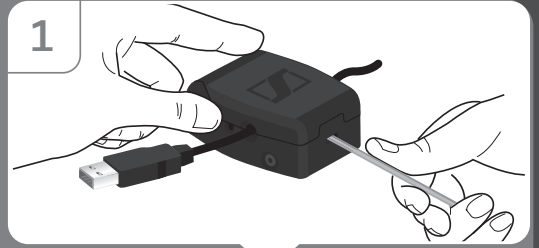
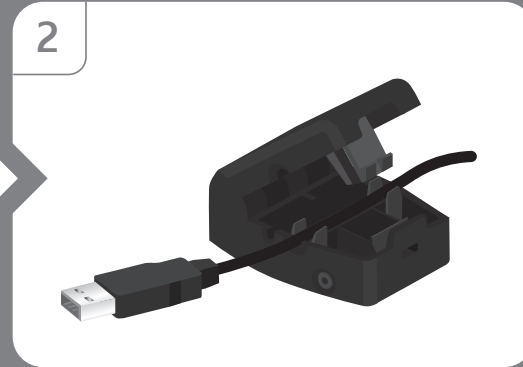
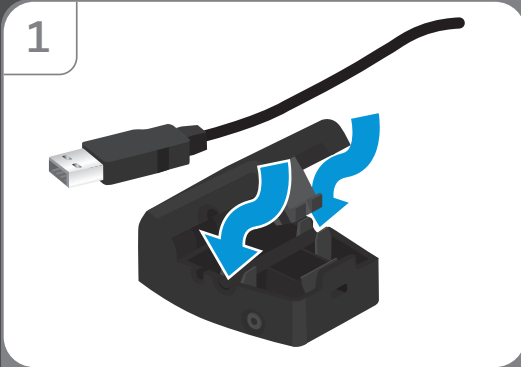


www.sennheiser.com/cc0/support

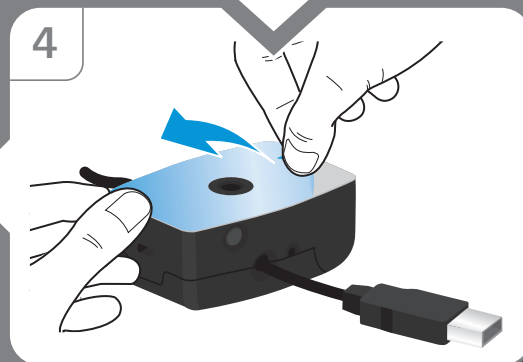
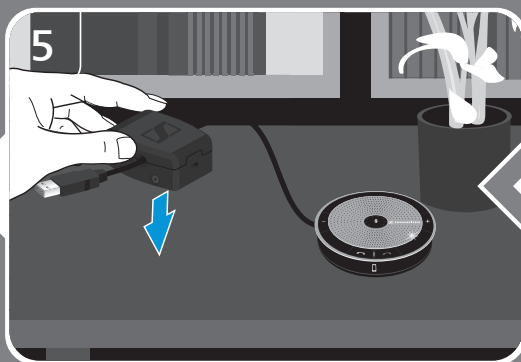
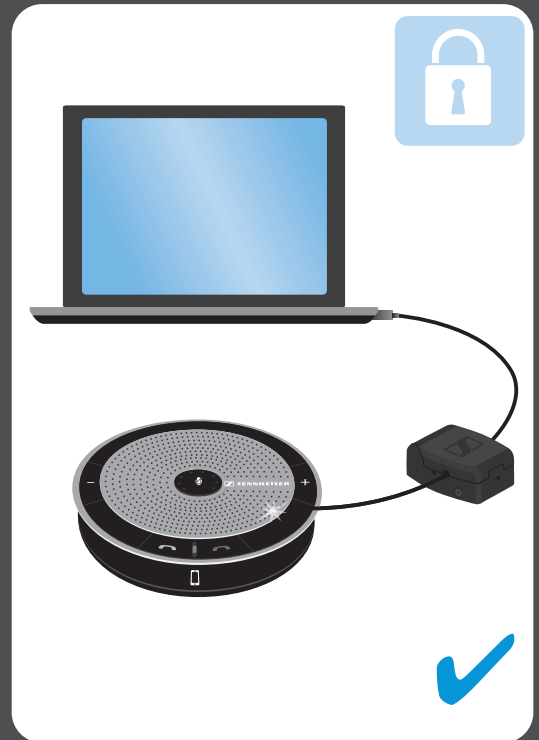
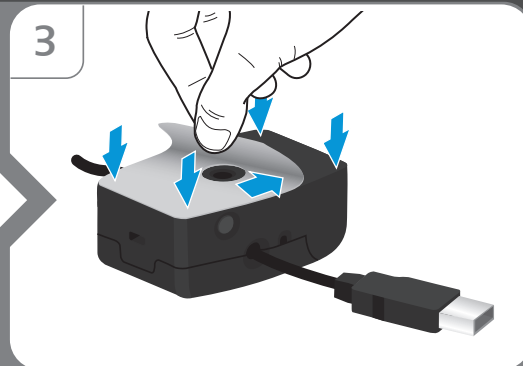
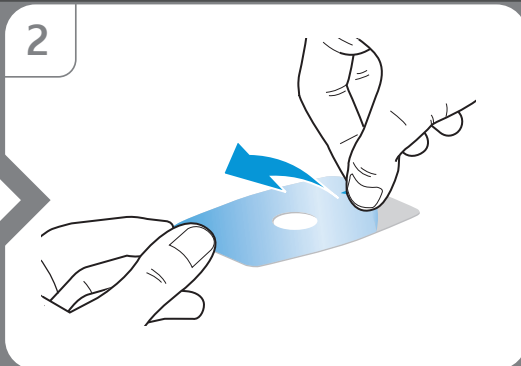
Sennheiser Communications A/S

Industriparken 27, DK-2750 Ballerup, Denmark
www.sennheiser.com

Printed in China, Publ. 04/15, A01



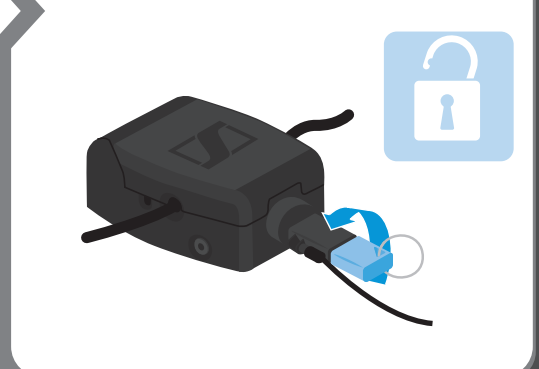
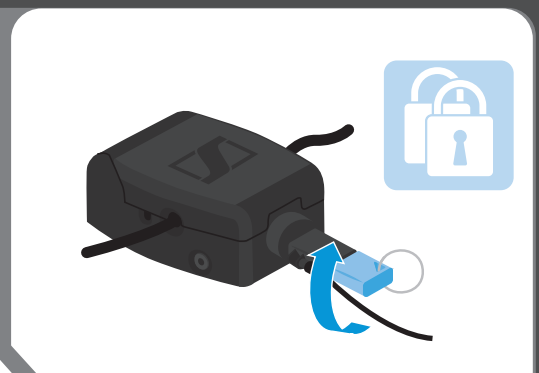
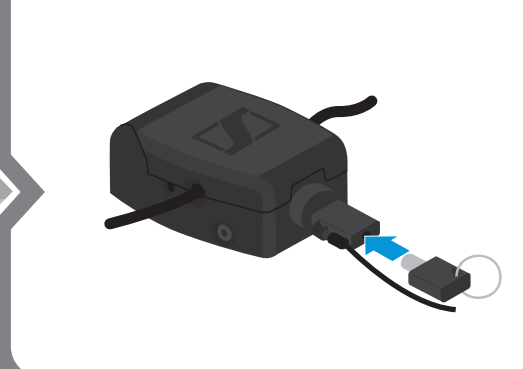
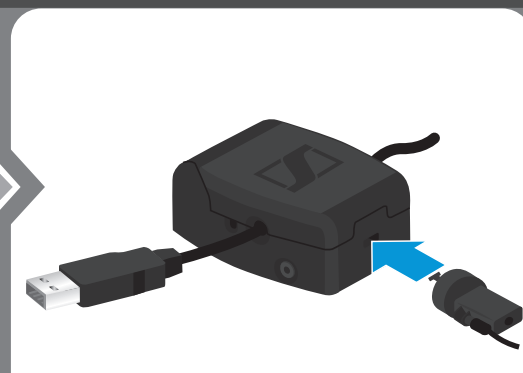
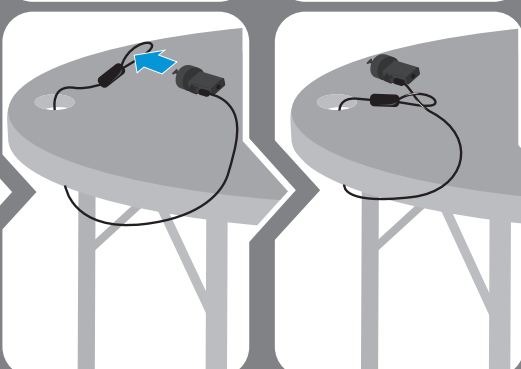
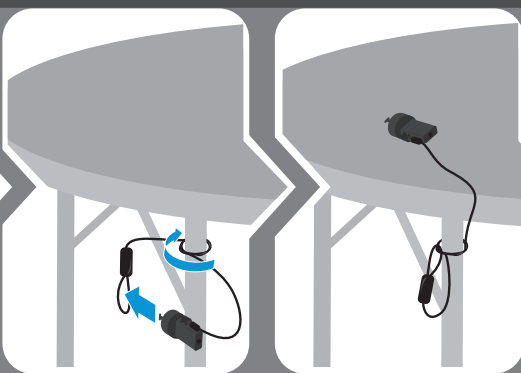
Mounting option **A**



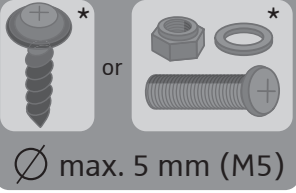
Mounting option **B**

Kensington® lock*

* not included



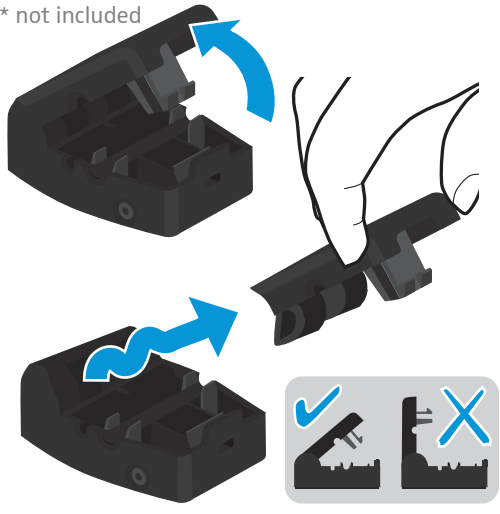
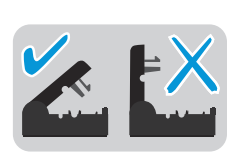
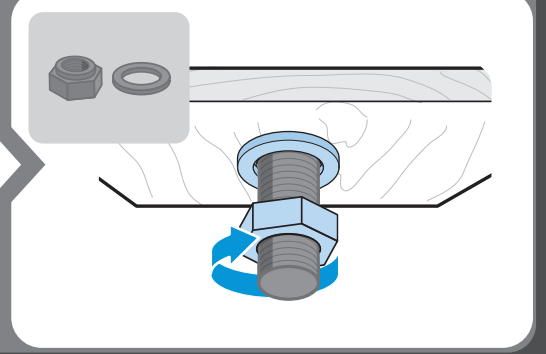
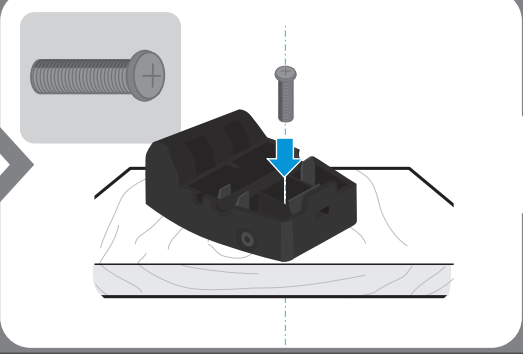
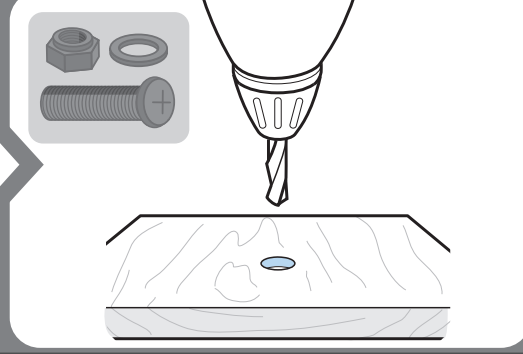
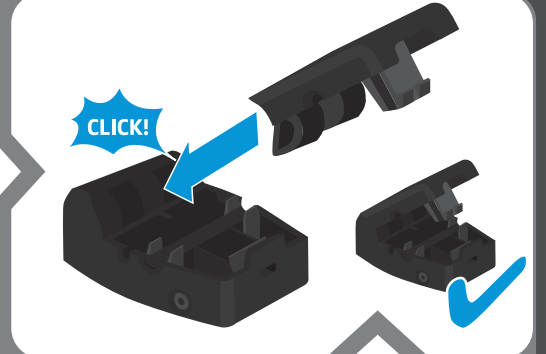
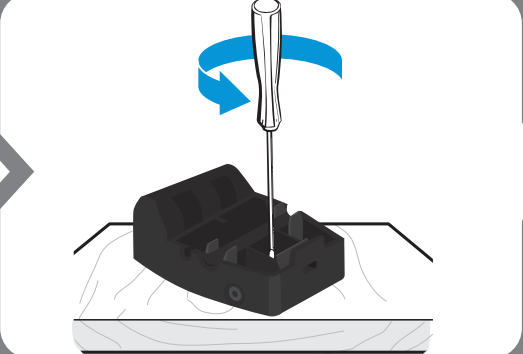
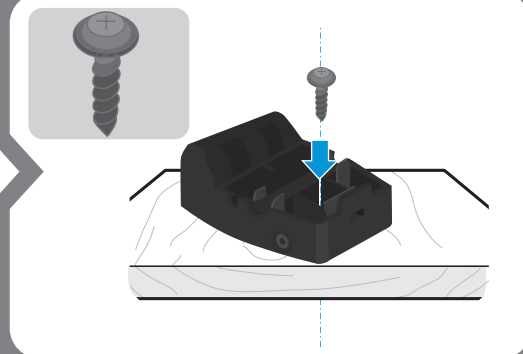
Mounting option C



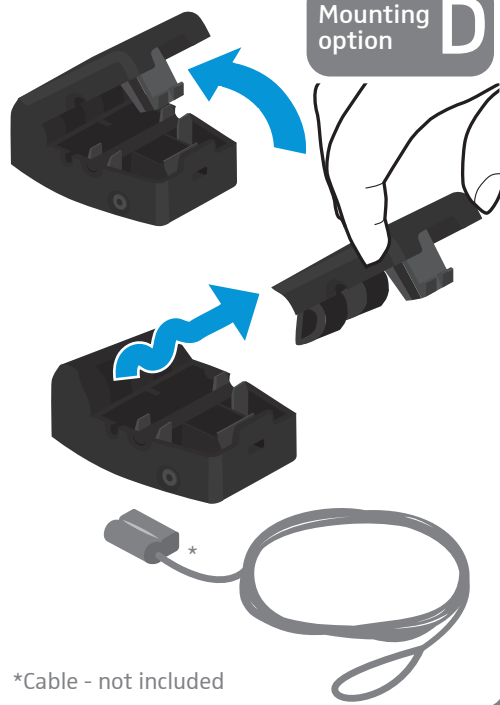
or

max. 5 mm (M5)

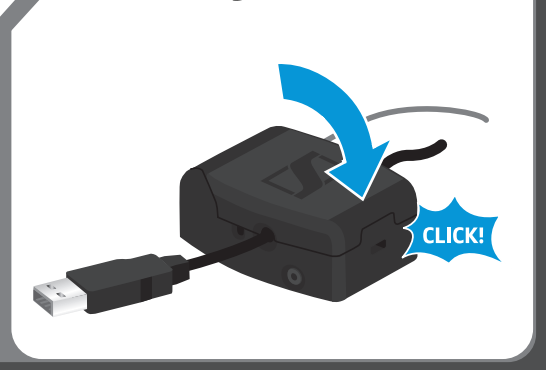
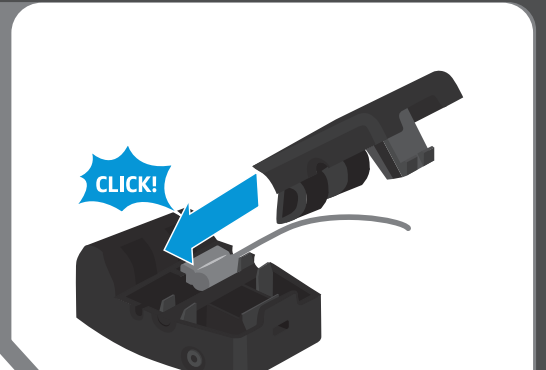
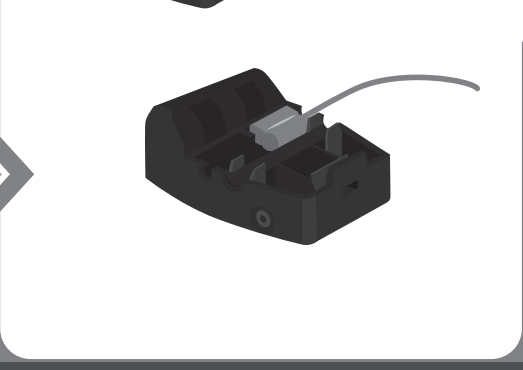
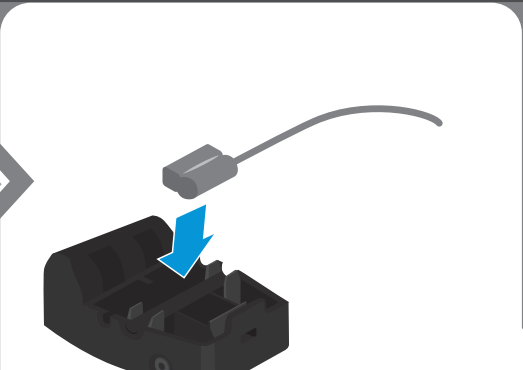
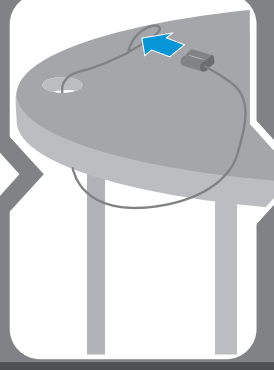
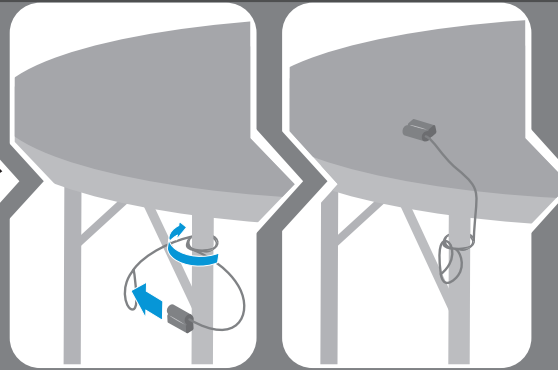
* not included

Mounting option D

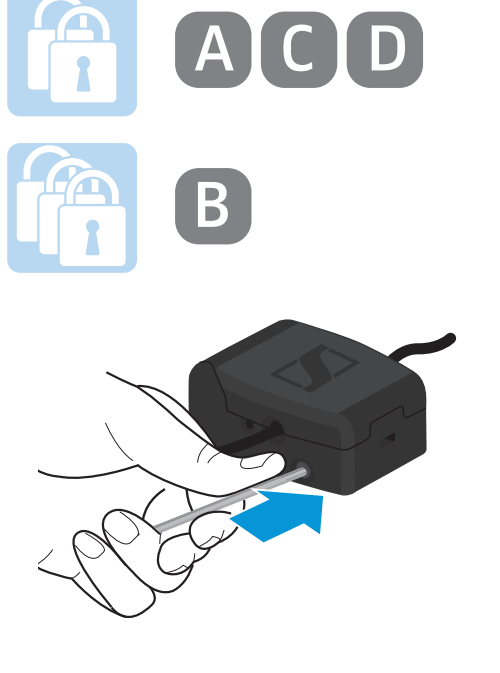
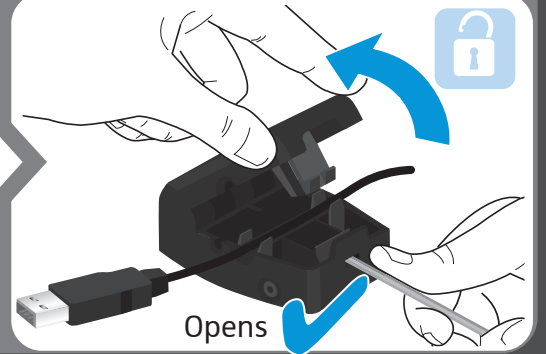
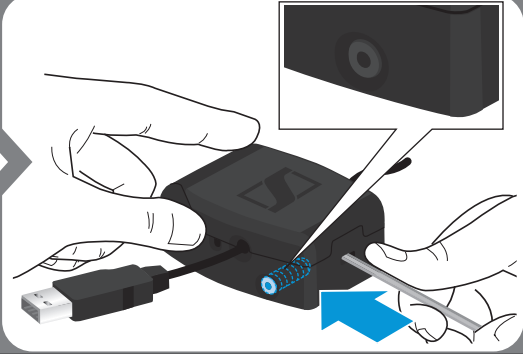
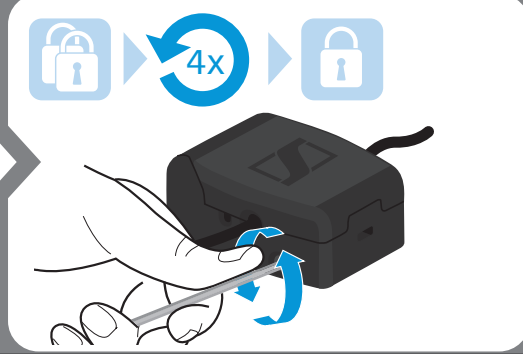
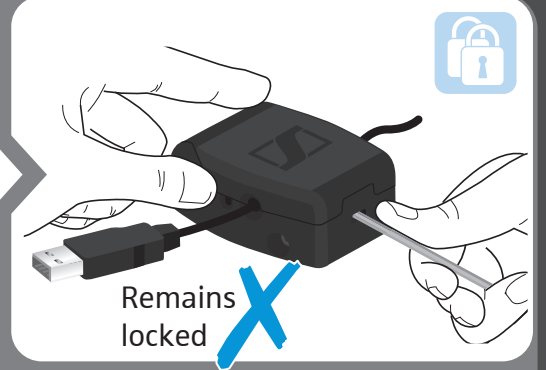
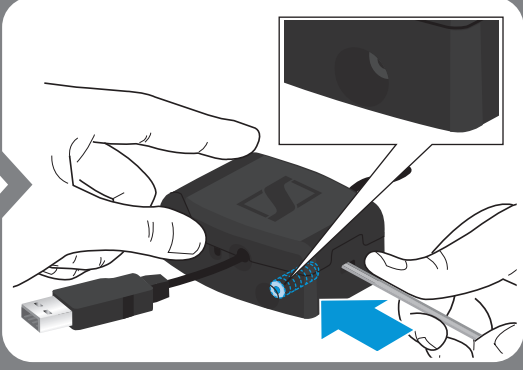
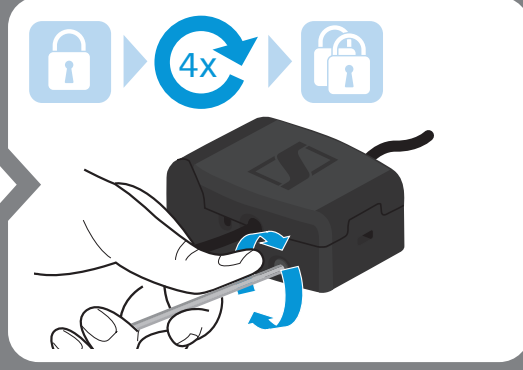


*Cable - not included



A C D


B

A B C

Secure 2 devices
e.g. a webcam or headset

1



2

