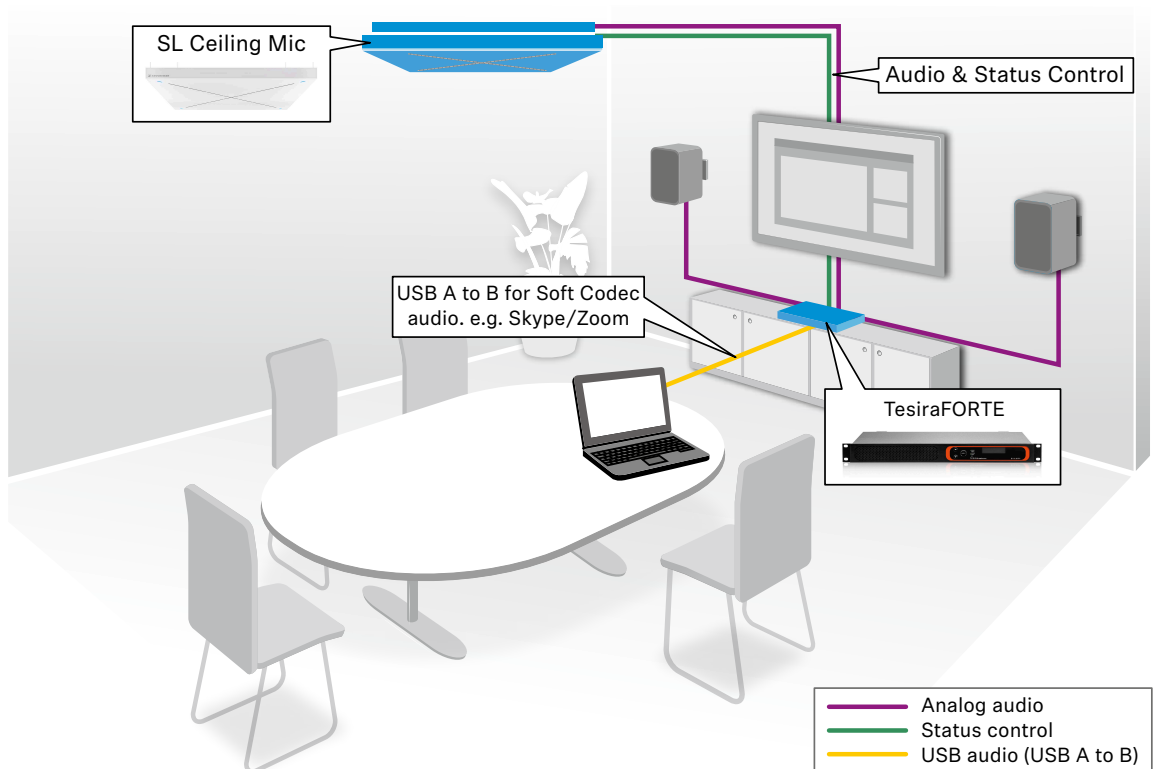




SL Ceiling Mic

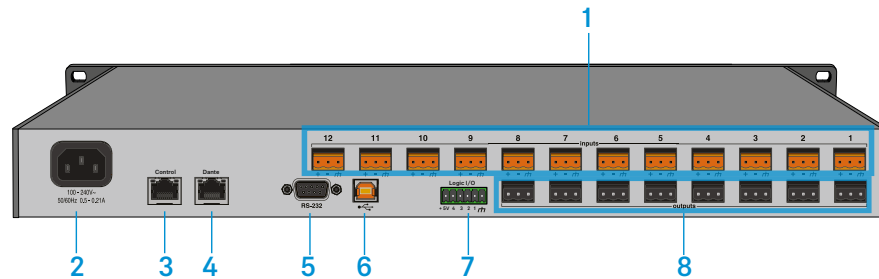
Application Note for Biamp TesiraFORTE Series (CI, TI, VI, VT, VT4 optional AVB or DAN)



Application Example - Meeting Room Conference via Skype for Business



Connection overview e.g. TesiraFORTE DAN CI

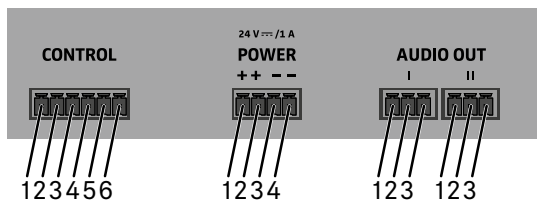


Rear view

- | | |
|---|--|
| 1 Audio Input (Euroblock/Phoenix 5.08 mm) | 5 Control Data Transmission (RS-232) |
| 2 Mains | 6 USB Audio |
| 3 Network and Configuration (RJ45) | 7 Logic IN/OUT (Euroblock/Phoenix 3.5 mm) |
| 4 Digital Audio Dante (RJ45) | 8 Audio Output (Euroblock/Phoenix 5.08 mm) |

Pin allocation of the terminals of the SL Ceiling Mic

SL Ceiling Mic provides 3.81 mm Euroblock/Phoenix plugs, which differs from sizes of TesiraFORTE.

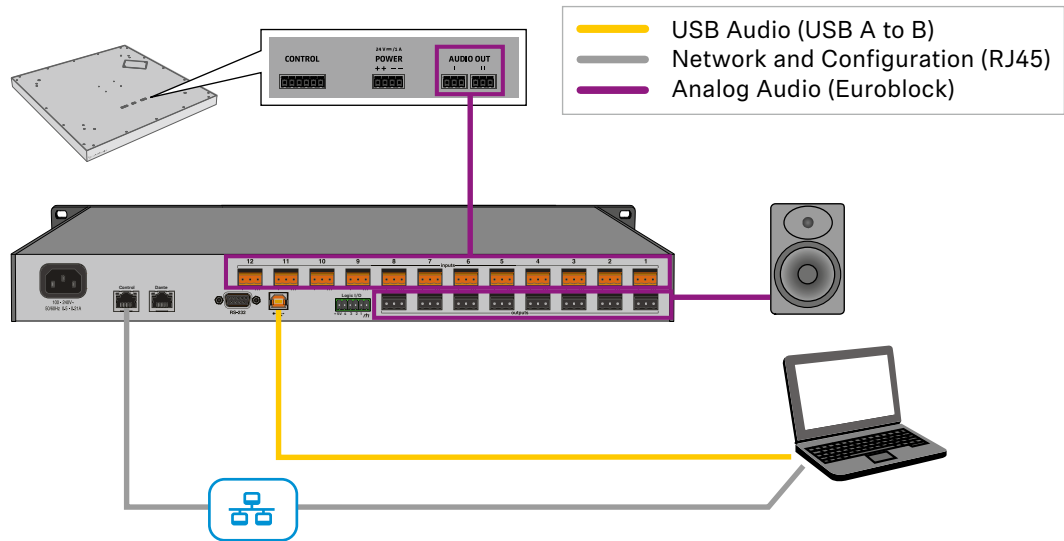


CONTROL terminal	Logic port for Logic In/Out
	Pin allocation:
	1 +24 V
	2 COM
	3 On status
	4 Hook status
	5 Mute status
	6 Ground
	Controls the LED status indication (On/Hook/Status)
POWER terminal	Power supply 24 V DC
	Pin allocation:
	1 +24 V
	2 +24 V
	3 Ground
	4 Ground
AUDIO OUT terminals	Parallel audio outputs of the microphone signal
	Pin allocation:
	1 Audio +
	2 Audio -
	3 Ground

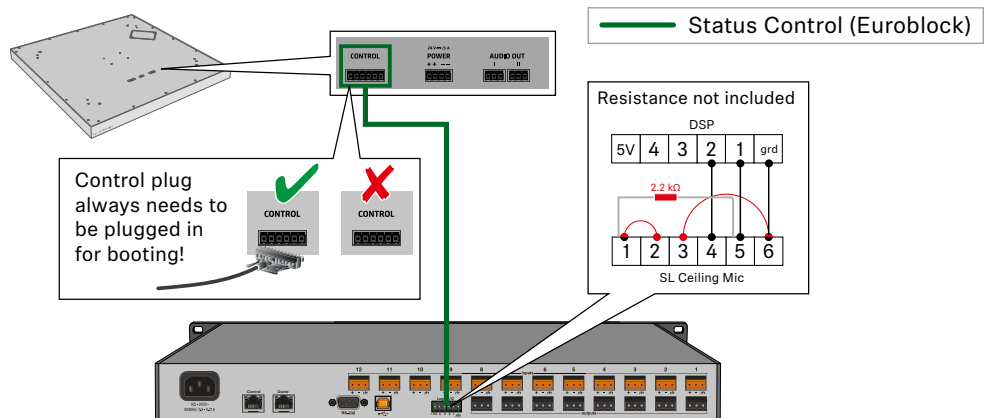
Note: SL Ceiling Mic and TesiraFORTE working well with default factory settings on Ceiling Mic (Microphone gain +12 dB). AEC must be activated at TesiraFORTE.



1. Analog Audio and network connection



2. Logic In/Out



3. Optional: Digital Audio via Dante

